



Consumer ZT

Series Zero Turn Riders & Mower Decks

18HP Product

Mfg. No.	Description
1694454	Consumer Zero-Turn, 18HP Rider
1694458	Consumer Zero-Turn, 18HP Rider (CE)

20HP Product

Mfg. No.	Description
1694455	Consumer Zero-Turn, 20HP Rider
1694460	Consumer Zero-Turn, 20HP Rider (CE)

Mower Decks

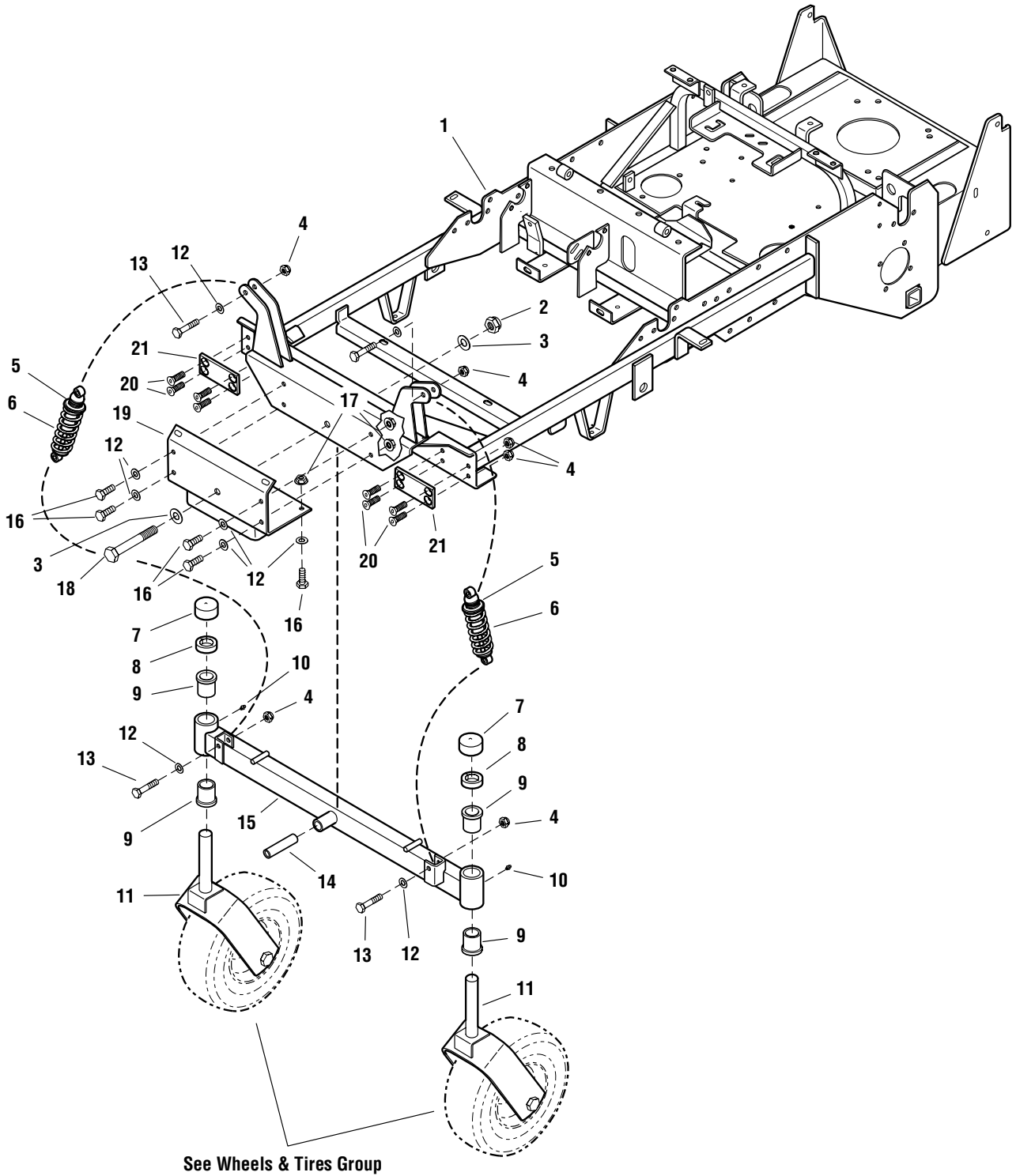
Mfg. No.	Description
1694456	44" Mower Deck
1694459	44" Mower Deck (CE)
1694457	50" Mower Deck
1694461	50" Mower Deck (CE)

PRODUCT COMPONENTS	PAGES
Frame Group	4
Bumper Group	6
Engine & PTO Group - 18HP Kohler	8
Engine & PTO Group - 20HP Briggs & Stratton	10
Drive Group	12
Hydraulics Group - Early Models	14
Hydraulics Group - Later Models	16
Hydraulics Pump SERVICE PARTS - BDP - 10A	18
Controls Group - Lower	20
Controls Group - Panel	22
Controls Group - Upper	24
Electrical Group	26
Seat & Kickplate Group	28
Fuel Tank Group	30
Brake Group	32
Lift Group - Early Models	34
Lift Group - Later Models	38
Wheel & Tire Group	42
Decals Group - Brand & Model	44
Decals Group - Safety & Common	46
44" & 50" Mower Deck - Belt & Idler Group	48
44" & 50" Mower Deck - Housing, Arbors & Blades Group	50
44" Mower Deck - Roller Bar Group	52
50" Mower Deck - Roller Bar Group	54
Torque Specification Chart	Inside Back Cover

Frame Group

FI0010

NOTE: Unless noted otherwise,
use the standard hardware torque
specification chart.



The above parts group applies to the following Mfg. Nos.:

- 1694454 - Consumer Zero-Turn
- 1694455 - Consumer Zero-Turn
- 1694458 - Consumer Zero-Turn
- 1694460 - Consumer Zero-Turn

Frame Group

REF NO	PART NO.	QTY.	DESCRIPTION
1	503848002	1	FRAME ASSEMBLY, Main
2	5025056	1	NUT, Hex Nylon Lock, 1/2-13
3	5025158	2	WASHER, SAE, 1/2
4	5025057	12	NUT, Hex Nylon Lock, 5/16-18
5	5023199	2	O-RING
6	5023213	2	SHOCK ABSORBER
7	5023214	2	CAP, Vinyl
8	5020602	2	COLLAR, Split, 1"
9	5021541	4	BUSHING, Flange
10	5020095	2	FITTING, Grease
11	503848775	2	YOKE, Caster
12	5025155	10	WASHER, SAE, 5/16
13	502501114	4	CAPSCREW, Hex Head, 5/16-18 X 1-3/4
14	5048106	1	SPACER, .51 X .75 X 3.375
15	503848108	1	FRAME ASSEMBLY, Pivot
16	50250116	6	CAPSCREW, Hex Head, 5/16-18 X 3/4
17	5025139	6	NUT, Hex Serrated Flange, 5/16-18
18	502501740	1	CAPSCREW, Hex Head, 1/2-13 X 5
19	503848241	1	HANGER ASSEMBLY, Deck
20	5025303	8	SCREW, Flat Head Socket, 5/16-18 X 3/4
21	5045990	2	FRICTION PLATE

Footnotes

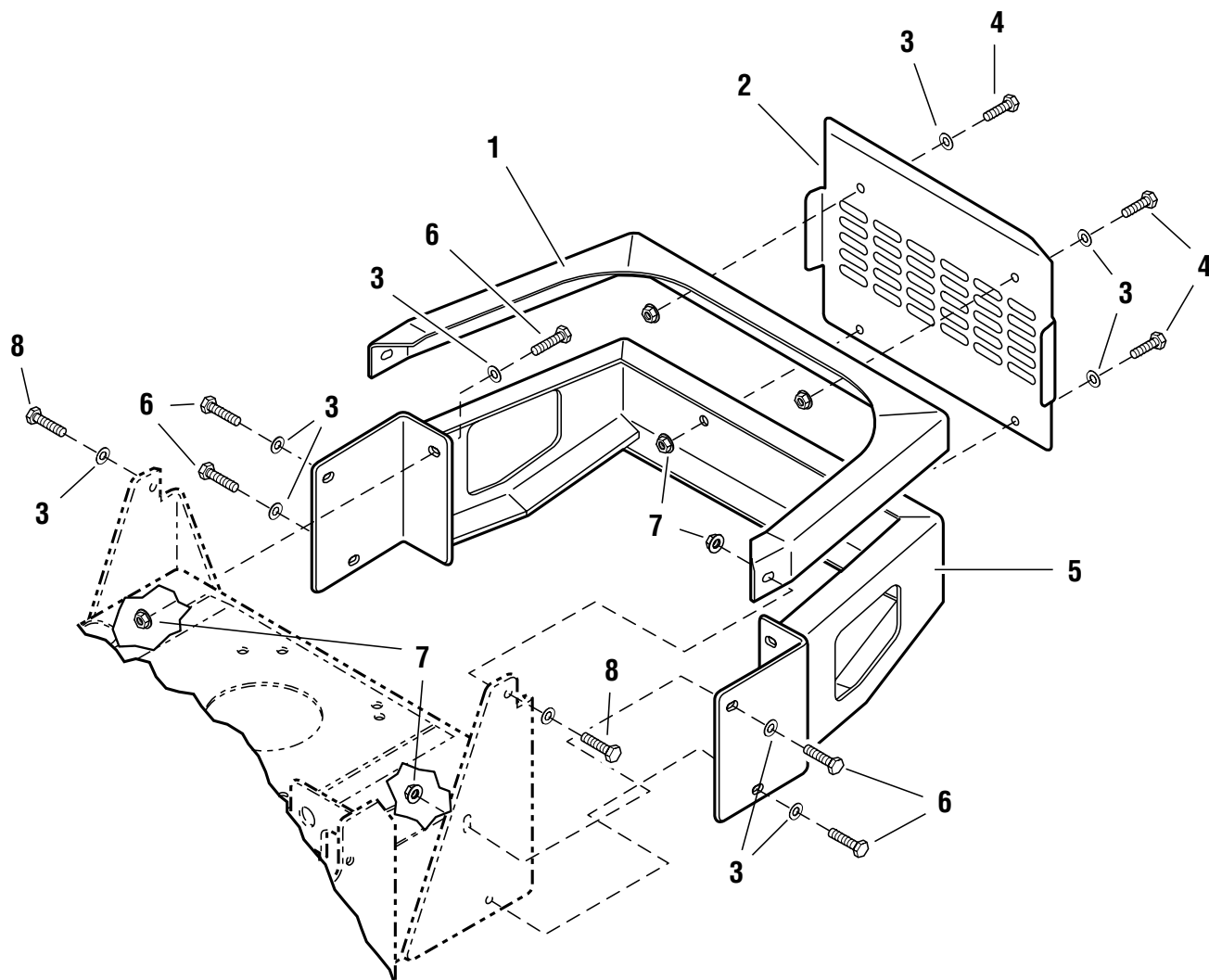
The above parts group applies to the following Mfg. Nos.:

1694454 - Consumer Zero-Turn
1694455 - Consumer Zero-Turn
1694458 - Consumer Zero-Turn
1694460 - Consumer Zero-Turn

Bumper Group

FI0011

NOTE: Unless noted otherwise,
use the standard hardware torque
specification chart.



The above parts group applies to the following Mfg. Nos.:

- 1694454 - Consumer Zero-Turn
- 1694455 - Consumer Zero-Turn
- 1694458 - Consumer Zero-Turn
- 1694460 - Consumer Zero-Turn

Bumper Group

REF NO	PART NO.	QTY.	DESCRIPTION
1	503848887	1	BUMPER, Top
2	503848257	1	SHIELD, Bumper
3	5025155	12	WASHER, SAE, 5/16
4	50250116	4	CAPSCREW, Hex Head, 5/16-18 x 3/4
5	503848249	1	BUMPER, Lower
6	502501110	6	CAPSCREW, Hex Head, 5/16-18 x 1-1/4
7	5025127	12	NUT, Hex Serrated Flange, 5/16-18
8	50250118	2	CAPSCREW, Hex Head, 5/16-18 x 1

Footnotes

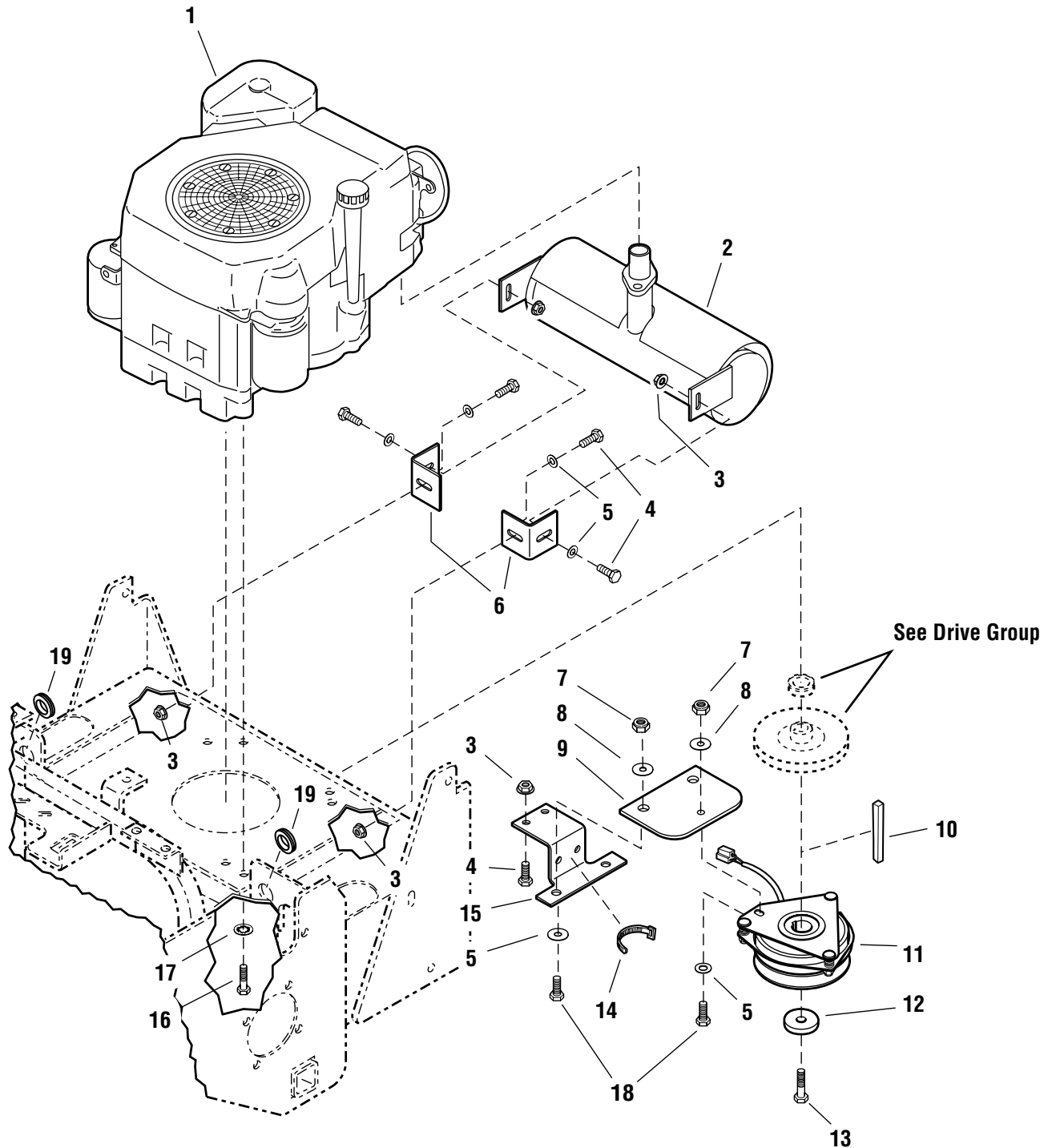
The above parts group applies to the following Mfg. Nos.:

1694454 - Consumer Zero-Turn
1694455 - Consumer Zero-Turn
1694458 - Consumer Zero-Turn
1694460 - Consumer Zero-Turn

Engine & PTO Group - 18HP Kohler

FI0013

NOTE: Unless noted otherwise,
use the standard hardware torque
specification chart.



The above parts group applies to the following Mfg. Nos.:

1694454 - Consumer Zero-Turn

1694458 - Consumer Zero-Turn

Engine & PTO Group - 18HP Kohler

REF NO	PART NO.	QTY.	DESCRIPTION
1	*	1	ENGINE, 18HP Kohler, Model CV-493S Type PS-27523
2	5023186	1	MUFFLER
3	5025139	6	NUT, Hex Serrated Flange, 5/16-18
4	50250116	9	CAPSCREW, Hex Head, 5/16-18 X 3/4
5	5025155	5	WASHER, SAE, 5/16
6	503848262	2	BRACKET, Muffler Support, (ORANGE)
6	504848262	2	BRACKET, Muffler Support, (RED)
7	5025057	3	NUT, Hex Nylon Lock, 5/16-18
8	5044617009	5	WASHER, Clutch Anchor, 5/16
9	5043636	1	PAD, Clutch Anchor
10	505040718	1	KEY, 1/4 Square X 2-1/4
11	5023100	1	CLUTCH, Electric
12	5042132	1	SPACER, .45 X 1.62 X .37
13	5023253	1	CAPSCREW, Crankshaft, 7/16 X 3-1/4
14	5021030	1	TIE WRAP
15	503848226	1	CLUTCH ANCHOR, (ORANGE)
15	504848226	1	CLUTCH ANCHOR, (RED)
16	5025353	4	BOLT, M8-1.25 X 30 MM
17	5025188	4	WASHER, 5/16 Internal Tooth Lock
18	50250118	3	CAPSCREW, Hex Head, 5/16-18 X 1
19	5023236	2	GROMMET, 3/4"

Footnotes

* See your local Kohler distributor for parts & service.

The above parts group applies to the following Mfg. Nos.:

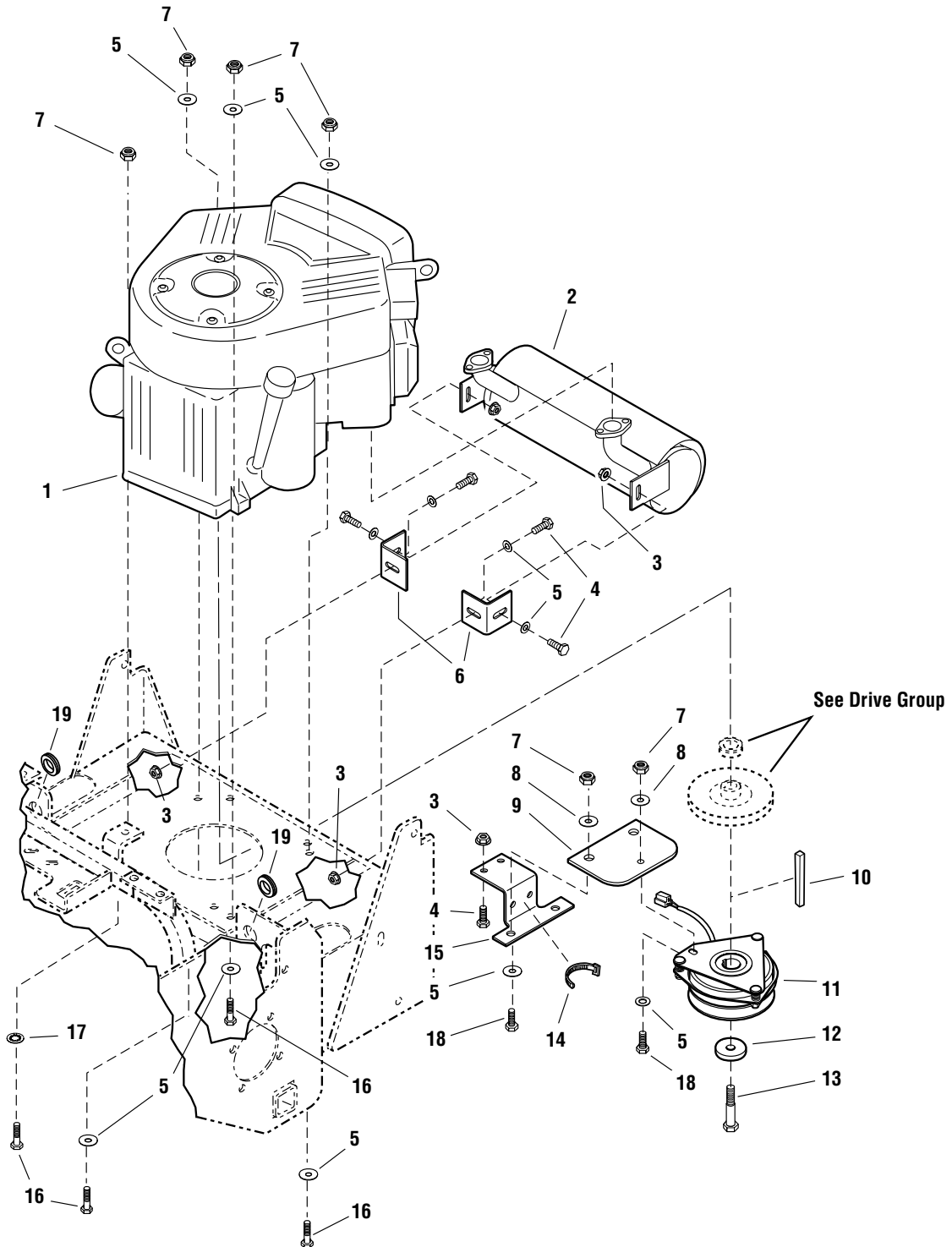
1694454 - Consumer Zero-Turn

1694458 - Consumer Zero-Turn

Engine & PTO Group - 20HP Briggs & Stratton

FI0012

NOTE: Unless noted otherwise,
use the standard hardware torque
specification chart.



The above parts group applies to the following Mfg. Nos.:

1694455 - Consumer Zero-Turn

1694460 - Consumer Zero-Turn

Engine & PTO Group - 20HP Briggs & Stratton

REF NO	PART NO.	QTY.	DESCRIPTION
1	*	1	ENGINE, 20HP Briggs & Stratton, Model 358777 Type 0280-E1
2	5023187	1	MUFFLER
3	5025139	6	NUT, Hex Serrated Flange, 5/16-18
4	50250116	6	CAPSCREW, Hex Head, 5/16-18 X 3/4
5	5025155	13	WASHER, SAE, 5/16
6	503848262	2	BRACKET, Muffler Support (ORANGE)
6	504848262	2	BRACKET, Muffler Support (RED)
7	5025057	7	NUT, Hex Nylon Lock, 5/16-18
8	5044617009	3	WASHER, Clutch Anchor, 5/16
9	5043636	1	PAD, Clutch Anchor
10	505040718	1	KEY, 1/4 Square X 2-1/4
11	5023100	1	CLUTCH, Electric
12	5042132	1	SPACER, .45 X 1.62 X .37
13	5023253	1	CAPSCREW, Crankshaft, 7/16 X 3-1/4
14	5021030	1	TIE, Wrap
15	503848226	1	CLUTCH ANCHOR, (ORANGE)
15	504848226	1	CLUTCH ANCHOR, (RED)
16	502501114	4	CAPSCREW, Hex Head, 5/16-18 X 1-3/4
17	5025188	1	WASHER, 5/16 Internal Tooth Lock
18	50250118	3	CAPSCREW, Hex Head, 5/16-18 X 1
19	5023236	2	GROMMET, 3/4"

Footnotes

* See your local Briggs & Stratton distributor for parts & service.

The above parts group applies to the following Mfg. Nos.:

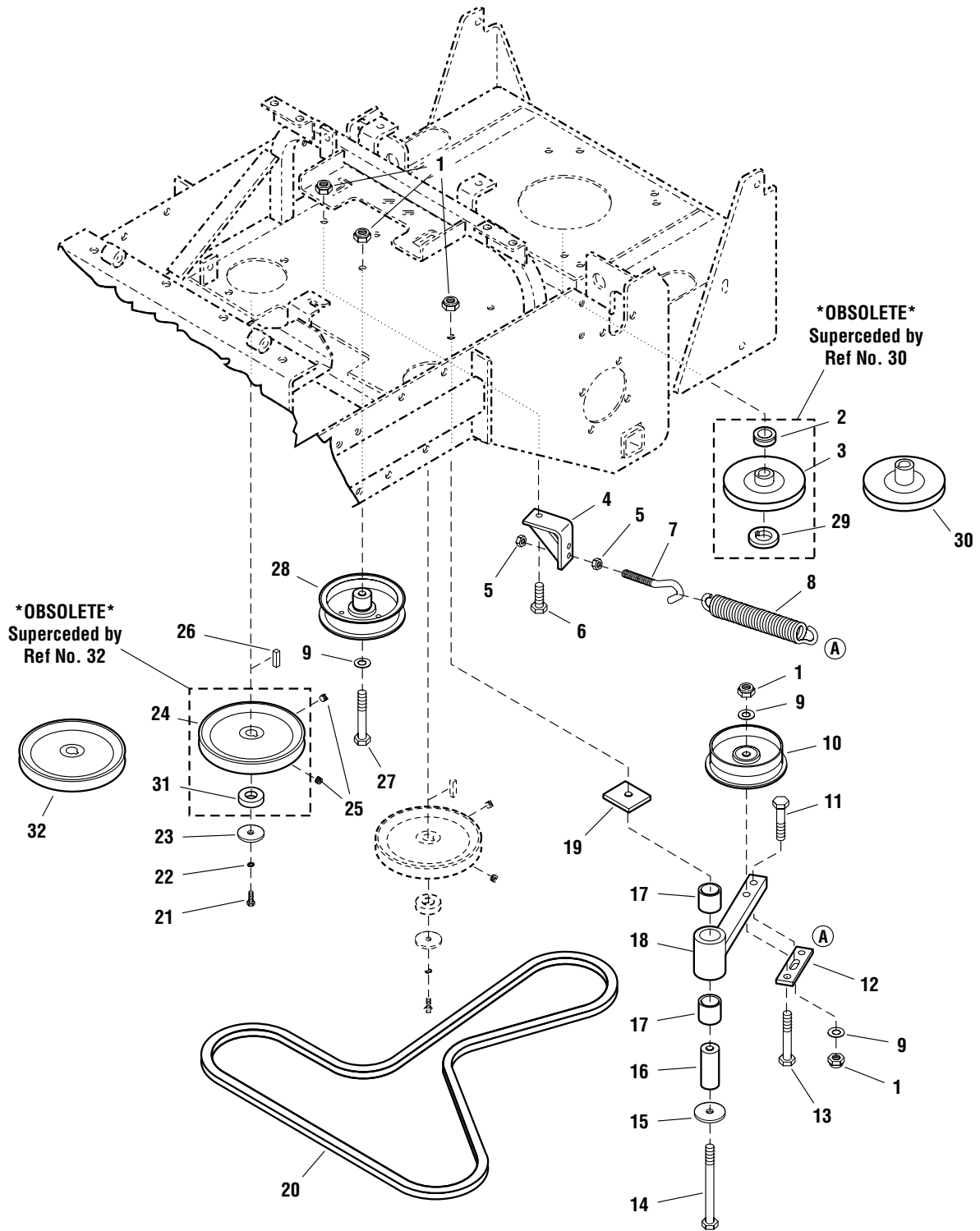
1694455 - Consumer Zero-Turn

1694460 - Consumer Zero-Turn

Drive Group

NOTE: Unless noted otherwise, use the standard hardware torque specification chart.

FI0014



The above parts group applies to the following Mfg. Nos.:

- 1694454 - Consumer Zero-Turn
- 1694455 - Consumer Zero-Turn
- 1694458 - Consumer Zero-Turn
- 1694460 - Consumer Zero-Turn

Drive Group

REF NO	PART NO.	QTY.	DESCRIPTION
1	5025096	5	NUT, Hex Nylon Lock, 3/8-16
2	5049185	1	SPACER, 1.00 X 1.50 X .25
3	5023112	1	PULLEY, Pump Drive
4	503845200	1	EYEBOLT ANCHOR
5	5025034	2	NUT, Hex, 3/8-16
6	50250138	1	CAPSCREW, Hex Head, 3/8-16 X 1
7	5025321	1	J-HOOK
8	5022847	1	SPRING, Extension, Swivel End
9	5025156	3	WASHER, Flat, 3/8
10	5022621	1	PULLEY, Idler, Single Flange
11	502501314	1	CAPSCREW, Hex Head, 3/8-16 X 1-3/4
12	503848219	1	PLATE, Spring Anchor
13	502501320	1	CAPSCREW, Hex Head, 3/8-16 X 2-1/2
14	502501332	1	CAPSCREW, Hex Head, 3/8-16 X 4
15	5025305	1	WASHER, .41 X 1.75 X .14
16	5045135	1	SHAFT, Idler Pivot
17	5022157	2	BUSHING, Brass
18	503846430	1	IDLER ARM, Pump Drive
19	5045090	1	SPACER, Idler Pivot
20	5022931	1	BELT
21	5023215	4	CAPSCREW, Hex Head, M6 X 14MM
22	5025169	2	WASHER, Lock, 1/4
23	5044577009	2	WASHER, 1-1/2 OD X .265 ID X .109 THICK
24	5023111	2	PULLEY, Pump Drive
25	50250612	4	SET SCREW, 5/16-18 X 1/2
26	5023254	2	KEY, 5MM Square, W/ Round Ends
27	502501316	1	CAPSCREW, Hex Head, 3/8-16 X 2
28	5049003	1	IDLER PULLEY ASSEMBLY
29	5049182	1	SPACER, 1.00 X 1.75 X .25
30	5023252	1	PULLEY, Crankshaft
31	5049183	2	SPACER, .59 X 1.50 X .25
32	5023251	2	PULLEY, Pump Drive

Footnotes

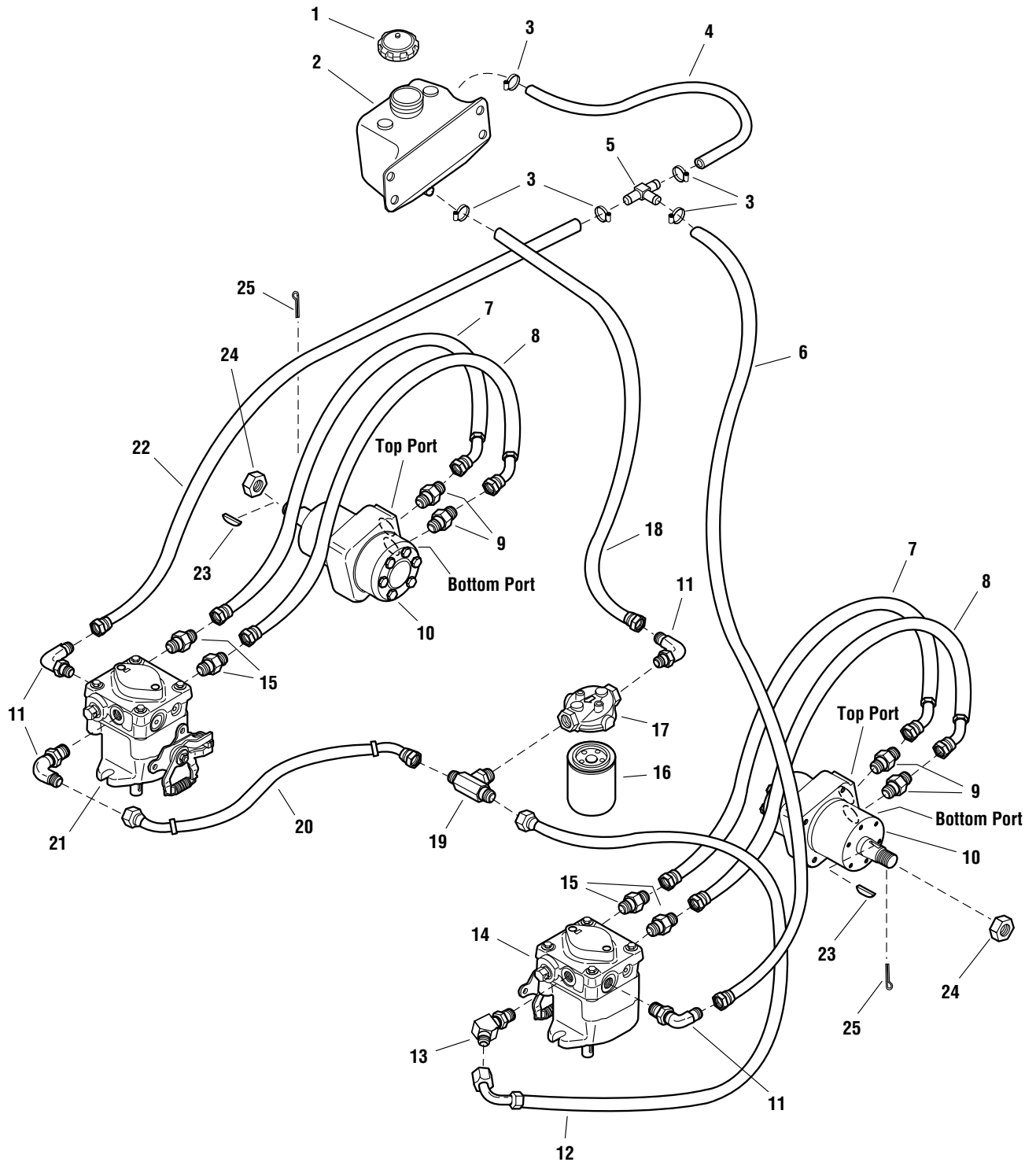
The above parts group applies to the following Mfg. Nos.:

1694454 - Consumer Zero-Turn
1694455 - Consumer Zero-Turn
1694458 - Consumer Zero-Turn
1694460 - Consumer Zero-Turn

Hydraulics Group - Early Models

FI0016RA

NOTE: Unless noted otherwise,
use the standard hardware torque
specification chart.



The above parts group applies to the following Mfg. Nos.:

- 1694454 - Consumer Zero-Turn
- 1694455 - Consumer Zero-Turn
- 1694458 - Consumer Zero-Turn
- 1694460 - Consumer Zero-Turn

Hydraulics Group - Early Models

REF NO	PART NO.	QTY.	DESCRIPTION
1	5023191	1	CAP
2	5023185	1	HYDRAULIC TANK
3	5021392	5	CLAMP, #6 Hose
4	505086085	1	HOSE, 3/8 X 8-1/2" LONG
5	5022920	1	FITTING, Tee
6	5048998	1	HOSE ASSEMBLY, 26" LONG
7	5022710	2	HOSE ASSEMBLY, Hi Press, 25-1/2"
8	5023086	2	HOSE ASSEMBLY, Hi Press, 29"
9	5022634	4	FITTING, Adapter
10	5023091	2	WHEEL MOTOR
11	5022712	4	FITTING, 90 DEG. O-RING
12	5048999	1	HOSE ASSEMBLY, 16-1/2" LONG
13	5023087	1	FITTING, 45 DEG. O-RING
14	5023092	1	HYDRAULIC PUMP, LH
15	5022633	4	FITTING, Adapter
16	1719168	1	FILTER
17	5023096	1	FILTER, Head
18	5049001	1	HOSE ASSEMBLY, 11-3/4" LONG
19	5023161	1	FITTING, Tee
20	5049000	1	HOSE ASSEMBLY, 4-1/2" LONG
21	5023093	1	HYDRAULIC PUMP, RH
22	5049002	1	HOSE ASSEMBLY, 6" LONG
23	50230911	2	KEY
24	50230912	2	NUT, Castle
25	502520310	2	PIN, Cotter, 1/8 X 1-1/4

Footnotes

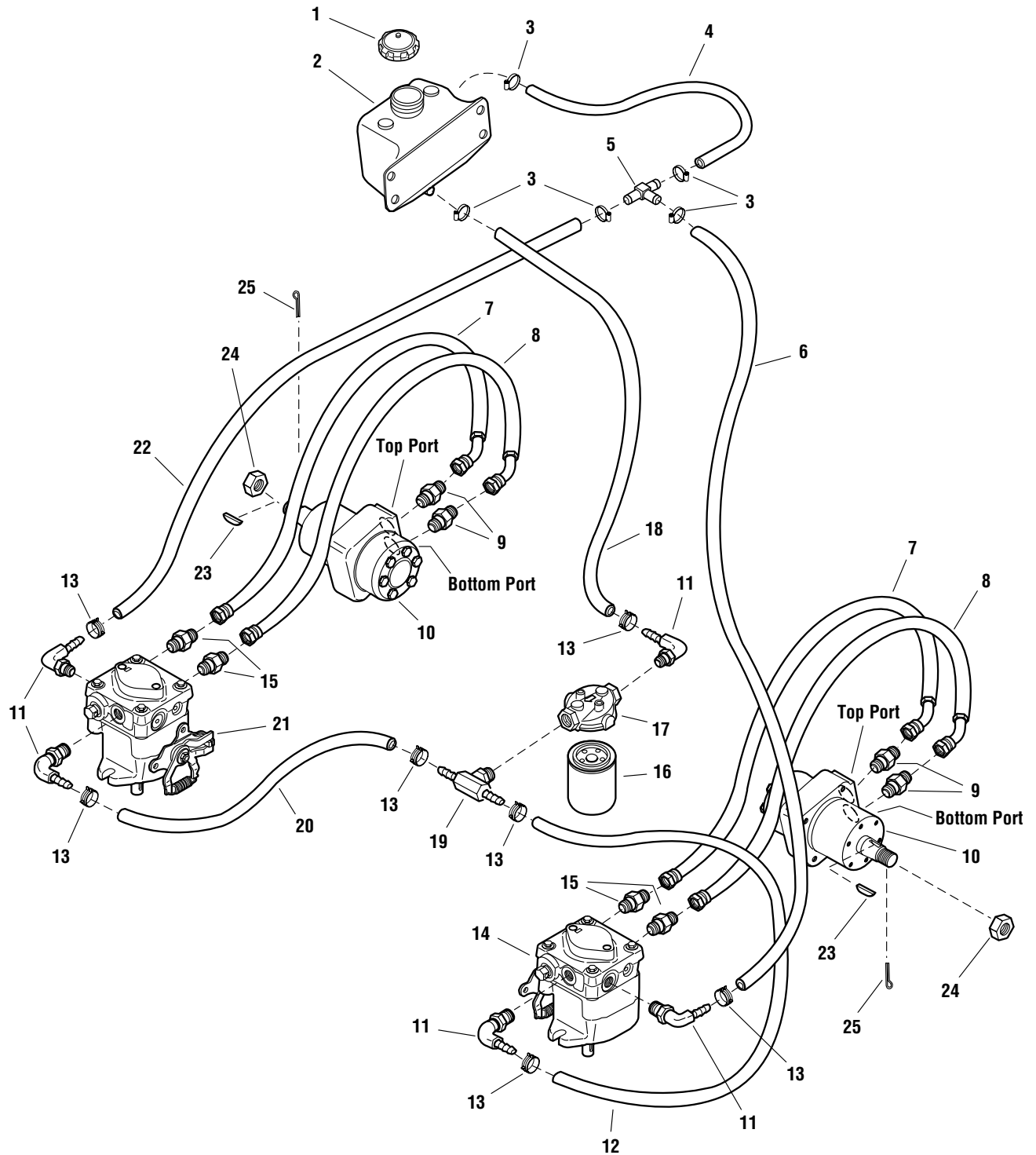
The above parts group applies to the following Mfg. Nos.:

1694454 - Consumer Zero-Turn
1694455 - Consumer Zero-Turn
1694458 - Consumer Zero-Turn
1694460 - Consumer Zero-Turn

Hydraulics Group - Later Models

FI0016RB

NOTE: Unless noted otherwise,
use the standard hardware torque
specification chart.



The above parts group applies to the following Mfg. Nos.:

- 1694454 - Consumer Zero-Turn
- 1694455 - Consumer Zero-Turn
- 1694458 - Consumer Zero-Turn
- 1694460 - Consumer Zero-Turn

Hydraulics Group - Later Models

REF NO	PART NO.	QTY.	DESCRIPTION
1	5023191	1	CAP
2	5023185	1	HYDRAULIC TANK
3	5021392	5	CLAMP, #6 Hose
4	505086065	1	HOSE, 3/8 X 6-1/2" LONG
5	5022920	1	FITTING, Tee
6	5050860255	1	HOSE, 3/8 X 25-1/2" LONG
7	5022710	2	HOSE ASSEMBLY, Hi Press, 25-1/2"
8	5023086	2	HOSE ASSEMBLY, Hi Press, 29"
9	5022634	4	FITTING, Adapter
10	5023091	2	WHEEL MOTOR
11	5023267	5	FITTING, 90 DEG. O-Ring
12	505086017	1	HOSE, 3/8 X 17" LONG
13	5023268	7	CLAMP, Hose
14	5023092	1	HYDRAULIC PUMP, LH
15	5022633	4	FITTING, Adapter
16	1719168	1	FILTER
17	5023096	1	FILTER, Head
18	505086013	1	HOSE, 3/8 X 13" LONG
19	5023266	1	FITTING, Tee
20	5050860875	1	HOSE, 3/8 X 8-3/4" LONG
21	5023093	1	HYDRAULIC PUMP, RH
22	505086075	1	HOSE, 3/8 X 7-1/2" LONG
23	50230911	2	KEY
24	50230912	2	NUT, Castle
25	502520310	2	PIN, Cotter, 1/8 X 1-1/4

Footnotes

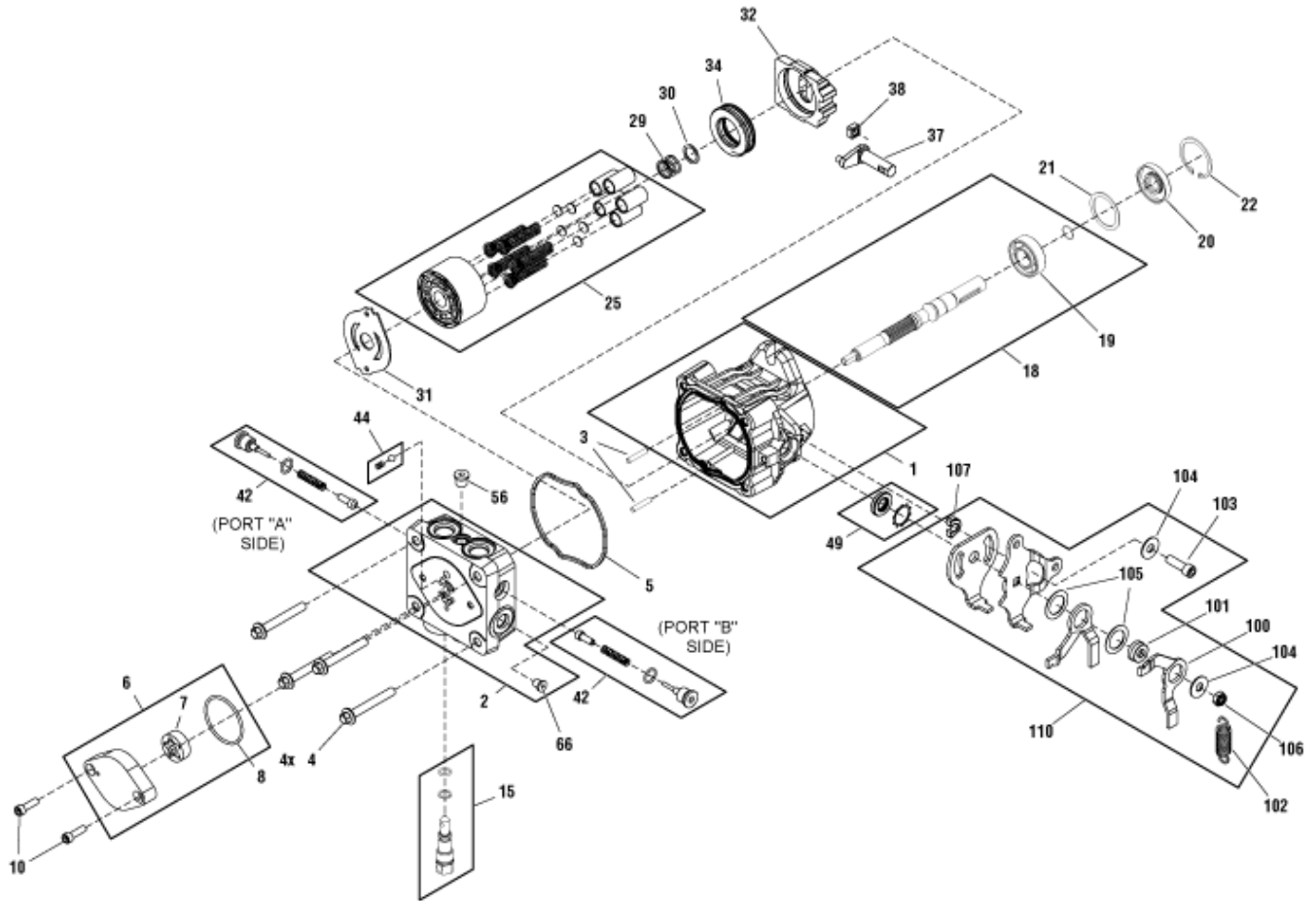
The above parts group applies to the following Mfg. Nos.:

1694454 - Consumer Zero-Turn
1694455 - Consumer Zero-Turn
1694458 - Consumer Zero-Turn
1694460 - Consumer Zero-Turn

Hydraulics Pump SERVICE PARTS - BDP - 10A

5023092

NOTE: Unless noted otherwise,
use the standard hardware torque
specification chart.



The above parts group applies to the following Mfg. Nos.:

- 1694454 - Consumer Zero-Turn
- 1694455 - Consumer Zero-Turn
- 1694458 - Consumer Zero-Turn
- 1694460 - Consumer Zero-Turn

Hydraulics Pump SERVICE PARTS - BDP - 10A

REF NO	PART NO.	QTY.	DESCRIPTION
1	5023405	1	Housing Kit
2	5023406	1	End Cap Kit (W/ Poppets, Standard Charge) (Includes Ref. Nos. 66)
3	5023407	1	Straight Headless Pin
4	5023408	4	Hex Flange Bolt M8-1.25 X 60mm LG
5	5023409	1	Housing O-Ring
6	5023410	1	Charge Pump Kit (STD) (Includes Ref. Nos. 7 & 8)
7	*	1	STD Gerotor Assy (11 cu. In/rev D-Drive) (Not a Serviceable Part)
8	*	1	O-Ring (Not a Serviceable Part)
10	5023411	2	Socket Head Screw M6 x 1.0-20mm Lg (STD Charge)
15	5023412	1	Bypass Valve Kit (Blank)
18	5023413	1	Pump Shaft Kit (Blind 15mm Keyway W/ Std Charge) (Includes Ref. Nos. 19)
19	*	1	Ball Bearing 17 x 40 x 12 (Not a Serviceable Part)
20	5023414	1	Lip Seal 17 x 40 x 7 PTC
21	5023415	1	Spacer
22	5023416	1	Retaining Ring
25	5023417	1	Cylinder Block Kit
29	5023418	1	Block Spring
30	5023419	1	Block Thrust Washer
31	5023420	1	Valve Plate (Steel N-Tec:Black)
32	5023421	1	Swashplate
34	5023422	1	Ball Thrust Bearing
37	5023423	1	Trunnion Arm, Tapered Square
38	5023424	1	Slot Guide
42	5023425	2	Check Valve Kit (0.031"Orifice)
44	5023426	1	Charge Relief Valve Kit (1/4" Plastic Ball & Spring)
49	5023427	1	Trunnion Seal / Retainer Kit
56	5023428	1	Straight Thread Plug
66	*	1	5/16" SAE Plug (Not a Serviceable Part)
100	5023429	1	Overhaul Seal Kit
101	*	1	Spacer RTN (Not a Serviceable Part)
102	*	1	Spring, Extension (Not a Serviceable Part)
103	*	1	Screw, 5/16 x .875 (Patch) (Not a Serviceable Part)
104	*	2	Washer .34 x .88 x .06 (Not a Serviceable Part)
105	*	1	Washer, Nylon (Not a Serviceable Part)
106	*	1	Nut, Hex Lock 5/16-24 UNF (Not a Serviceable Part)
107	*	1	Spacer (Not a Serviceable Part)
110	5023430	1	Kit, RTN, STD (Includes Ref. Nos. 94, 98, 100, 101, 102, 103, 104, 104, 105, 106 & 107)

Footnotes

* Not a serviceable part.

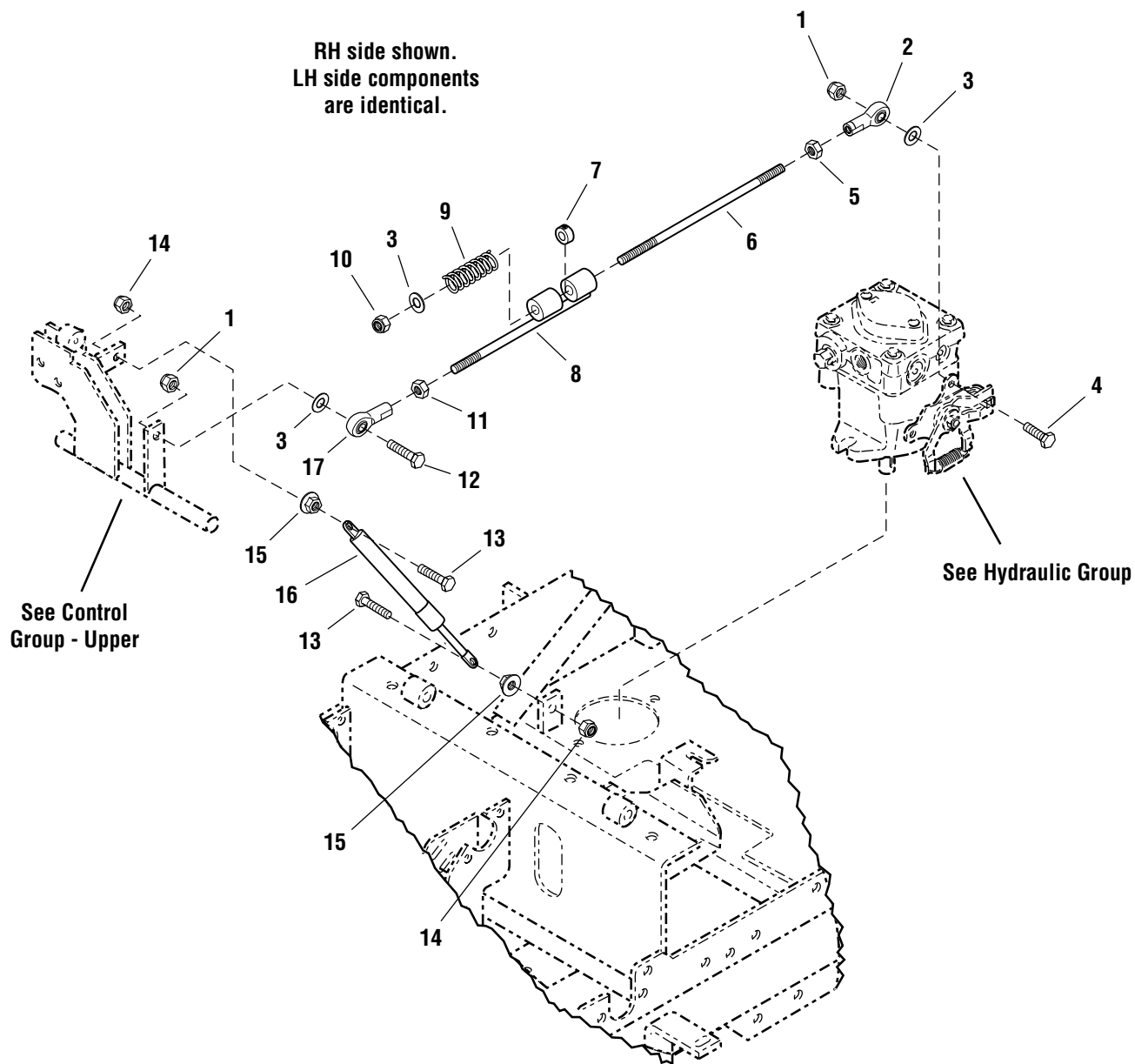
The above parts group applies to the following Mfg. Nos.:

1694454 - Consumer Zero-Turn
 1694455 - Consumer Zero-Turn
 1694458 - Consumer Zero-Turn
 1694460 - Consumer Zero-Turn

Controls Group - Lower

FI0018

NOTE: Unless noted otherwise,
use the standard hardware torque
specification chart.



The above parts group applies to the following Mfg. Nos.:

- 1694454 - Consumer Zero-Turn
- 1694455 - Consumer Zero-Turn
- 1694458 - Consumer Zero-Turn
- 1694460 - Consumer Zero-Turn

Controls Group - Lower

REF NO	PART NO.	QTY.	DESCRIPTION
1	5025057	4	NUT, Hex Nylon Lock, 5/16-18
2	5022628	2	BALL JOINT, 5/16-24, LH
3	5025155	6	WASHER, SAE, 5/16
4	50250119	2	CAPSCREW, Hex Head, 5/16-18 X 1-1/8
5	5023212	2	NUT, Hex, 5/16-24, LH
6	5048921	2	ROD, Spring Control
7	5020047	2	COLLAR, SET, 5/16
8	5048923	2	ROD ASSEMBLY, Slider
9	5023242	2	SPRING
10	5025045	2	NUT, Hex Nylon Lock, 5/16-24
11	5025033	2	NUT, Hex, 5/16-24
12	502501110	2	CAPSCREW, Hex Head, 5/16-18 X 1-1/4
13	5025335	4	CAPSCREW, Hex Head, M8-1.25 X 35MM
14	5025354	4	NUT, Hex Nylon Lock, M8-1.25
15	5025355	4	NUT, Hex Serrated Flange, M8-1.25
16	5022978	2	DAMPENER
17	5021146	2	BALL JOINT, 5/16-24

Footnotes

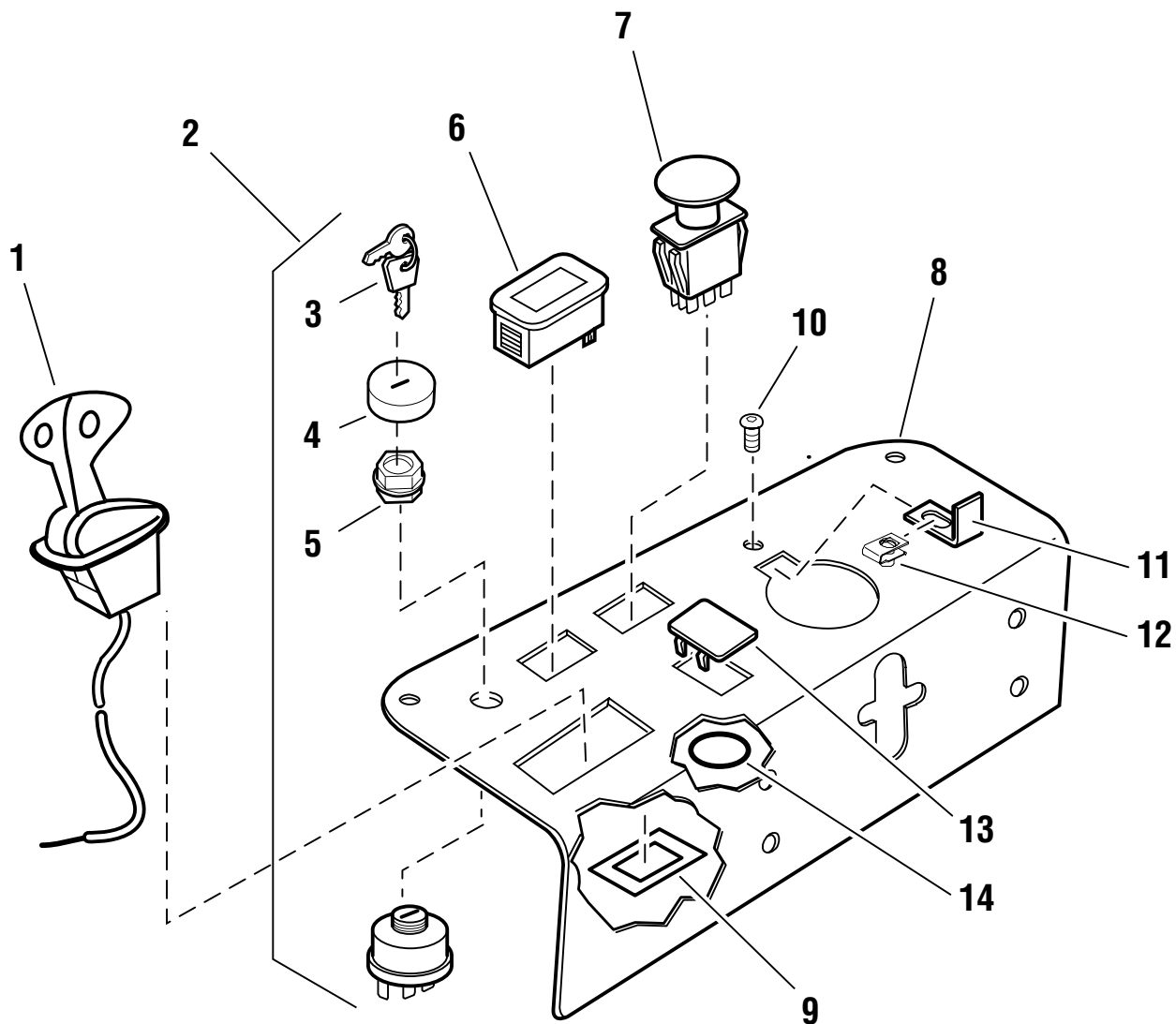
The above parts group applies to the following Mfg. Nos.:

1694454 - Consumer Zero-Turn
1694455 - Consumer Zero-Turn
1694458 - Consumer Zero-Turn
1694460 - Consumer Zero-Turn

Controls Group - Panel

FI0017

NOTE: Unless noted otherwise,
use the standard hardware torque
specification chart.



The above parts group applies to the following Mfg. Nos.:

- 1694454 - Consumer Zero-Turn
- 1694455 - Consumer Zero-Turn
- 1694458 - Consumer Zero-Turn
- 1694460 - Consumer Zero-Turn

Controls Group - Panel

REF NO	PART NO.	QTY.	DESCRIPTION
1	1721950	1	LEVER, Dual Choke/Throttle
2	5020927	1	SWITCH, Ignition, (Includes Ref 3-5)
3	5022789	1	KEY, Ignition Molded (Set of 2)
4	5022790	1	COVER
5	5022791	1	NUT, Plastic
6	1725523	1	HOUR METER, Digital (Includes Retaining Ring)
7	5022180	1	SWITCH, PTO
8	502848758	1	CONTROL PANEL
9	5022222	1	RING, Switch Retainer
10	50252296	1	CAPSCREW, Button Allen Head, 1/4-20 x 3/4
11	502849022	1	BRACKET, Lock
12	5022665	1	BODY CLIP, 1/4-20
13	1709188	1	PLUG, Hole
14	5022269	1	O-RING

Footnotes

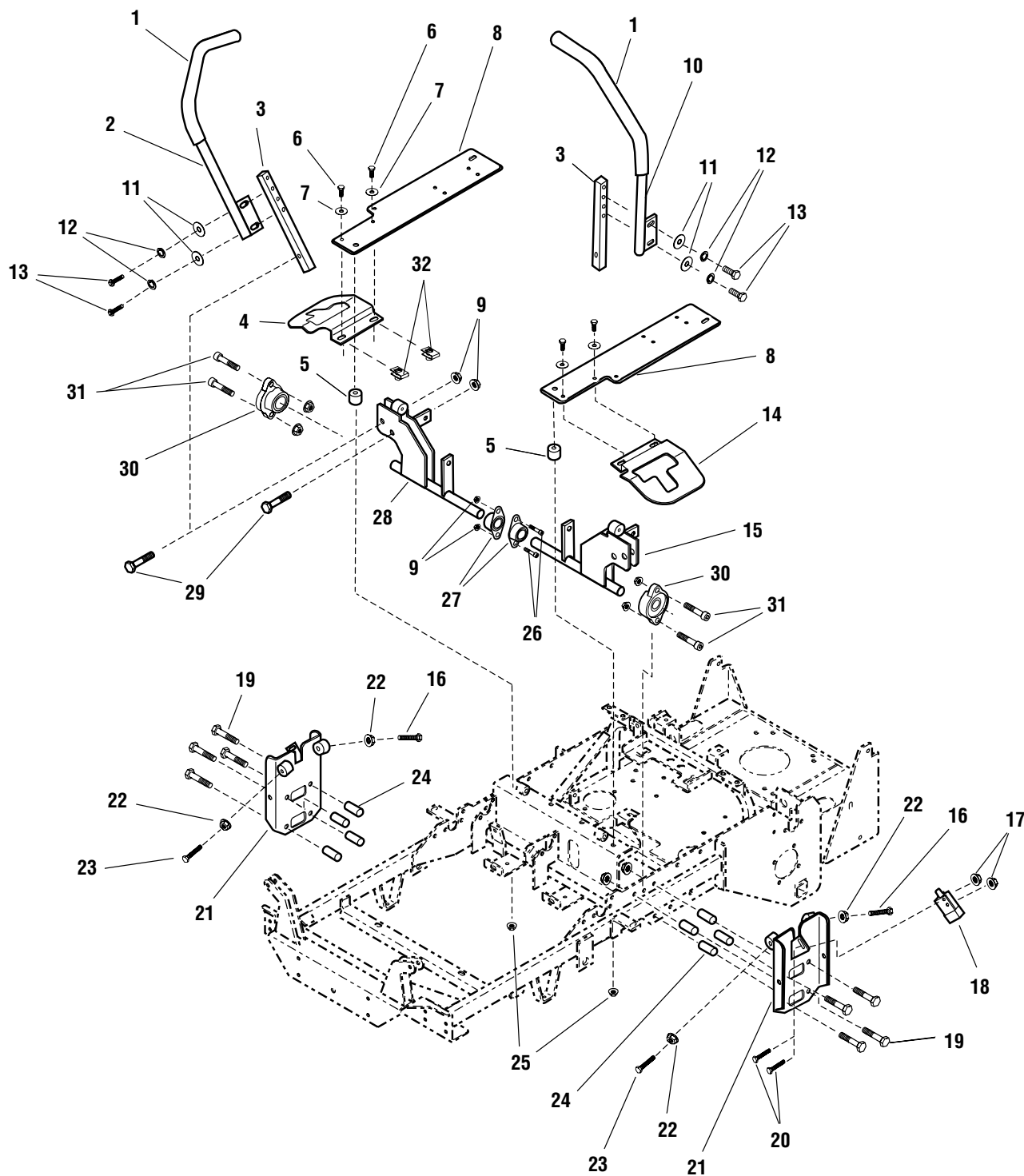
The above parts group applies to the following Mfg. Nos.:

1694454 - Consumer Zero-Turn
1694455 - Consumer Zero-Turn
1694458 - Consumer Zero-Turn
1694460 - Consumer Zero-Turn

Controls Group - Upper

FI0019

NOTE: Unless noted otherwise,
use the standard hardware torque
specification chart.



The above parts group applies to the following Mfg. Nos.:

- 1694454 - Consumer Zero-Turn
- 1694455 - Consumer Zero-Turn
- 1694458 - Consumer Zero-Turn
- 1694460 - Consumer Zero-Turn

Controls Group - Upper

REF NO	PART NO.	QTY.	DESCRIPTION
1	5022068	2	FOAM GRIP
2	503847056	1	MOTION CONTROL LEVER, RH
3	5047004	2	LEVER BASE, Control
4	503848905	1	NEUTRAL LOCK PLATE COVER, RH
5	5047125	2	SPACER
6	50250106	4	CAPSCREW, Hex Head, 1/4-20 X 3/4
7	5025154	4	WASHER, SAE, 1/4
8	503849333	2	SHIELD, Fan
9	5025096	10	NUT, Hex Nylon Lock, 3/8-16
10	503847055	1	MOTION CONTROL LEVER - LH
11	5025155	4	WASHER, Flat, 5/16
12	5025170	4	LOCK WASHER, 5/16
13	50250118	4	CAPSCREW, Hex Head, 5/16-18 X 1
14	503848914	1	NEUTRAL LOCK PLATE COVER, LH
15	503848122	1	WELD, Control Shaft, LH
16	502505516	4	CAPSCREW, Hex Head, Flange Lock Taptite, 5/16-18 X 2
17	5025079	4	NUT, Hex, #10-24
18	5022095	2	SWITCH, No/NC
19	502501118	8	CAPSCREW, Hex Head, 5/16-18 X 2 1/4
20	50252996	4	SCREW, #10-24
21	503848169	2	WELD, Plate, Neutral
22	5025139	12	NUT, Hex Serrated Flange, 5/16-18
23	502505514	2	CAPSCREW, Hex Head, Flange Lock Taptite, 5/16-18 X 1-3/4
24	503848264	8	SPACER
25	5025128	2	NUT, Hex, Serrated Flange, 3/8-16
26	50250138	2	CAPSCREW, 3/8-16 X 1
27	5021098	2	BEARING, Bronze
28	503848123	1	WELD, Control Shaft, RH
29	502501314	4	CAPSCREW, Hex Head, 3/8-16 X 1 3/4
30	5021499	2	BEARING, Flange
31	5025327	4	CAPSCREW, Socket Head, 3/8-16 X 1 1/4
32	5022665	4	BODY CLIP, 1/4-20

Footnotes

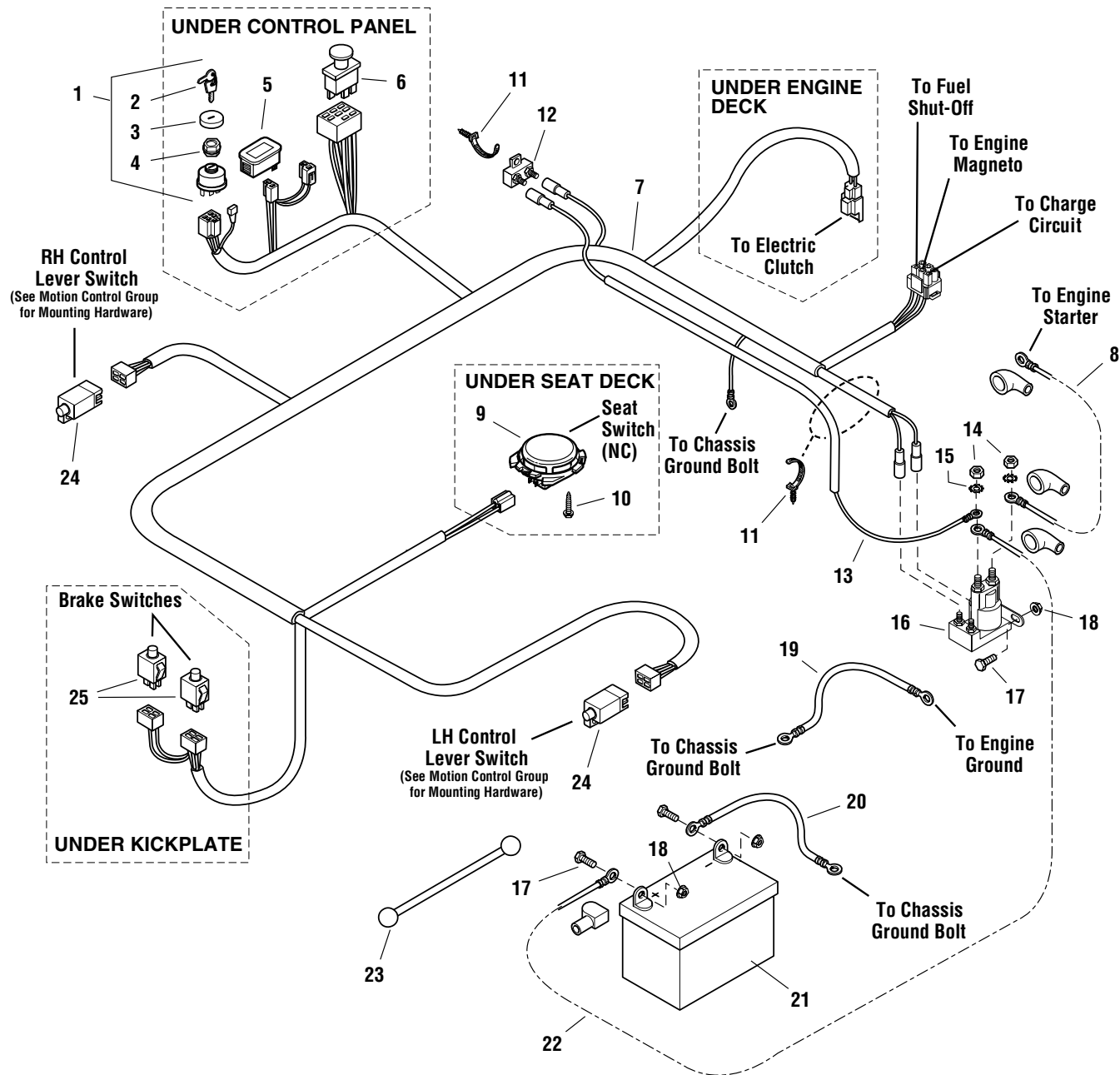
The above parts group applies to the following Mfg. Nos.:

1694454 - Consumer Zero-Turn
1694455 - Consumer Zero-Turn
1694458 - Consumer Zero-Turn
1694460 - Consumer Zero-Turn

Electrical Group

FI0021

NOTE: Unless noted otherwise, use the standard hardware torque specification chart.



The above parts group applies to the following Mfg. Nos.:

- 1694454 - Consumer Zero-Turn
- 1694455 - Consumer Zero-Turn
- 1694458 - Consumer Zero-Turn
- 1694460 - Consumer Zero-Turn

Electrical Group

REF NO	PART NO.	QTY.	DESCRIPTION
1	5020927	1	SWITCH, Ignition, (Includes Ref 2-4)
2	5022789	1	KEY, Ignition Molded (Set of 2)
3	5022790	1	COVER
4	5022791	1	NUT, Plastic
5	1725523	1	HOUR METER, Digital (Includes Retaining Ring)
6	5022180	1	SWITCH, PTO
7	5048640	1	HARNESS ASSEMBLY, Main
8	5048756	1	CABLE, #6 X 15" LONG, Ring Terminal
9	1716368	1	SWITCH, Seat, Gray, NC
10	1960536	2	CAPSCREW, Hex Washer Head PLASTITE, 1/4 X 1/2
11	5021199	2	CABLE TIE, Push Mount
12	5023222	1	CIRCUIT BREAKER, 20A
13	5048938	1	WIRE ASSEMBLY, Circuit Breaker
14	5023216	2	NUT, Hex Jam 5/16-24
15	5023217	2	WASHER, Light Lock, 5/16
16	1724815	1	SOLENOID
17	50250106	4	CAPSCREW, Hex Head, 1/4-20 X 3/4
18	5025126	4	NUT, Hex Serrated Flange, 1/4-20
19	5044014	1	CABLE, #6 X 10" LONG, Ring Terminal
20	5021406	1	CABLE, #6 X 22" LONG, Ring Terminal
21	5020798	1	BATTERY, 12 Volt
22	5021542	1	CABLE, #6 X 30" LONG, Ring Terminal
23	1722009	1	STRAP, BATTERY, 14 LONG, Rubber
24	5022095	2	SWITCH, Plunger, No/NC
25	5022182	2	SWITCH, Plunger, No/NC, Snap In

Footnotes

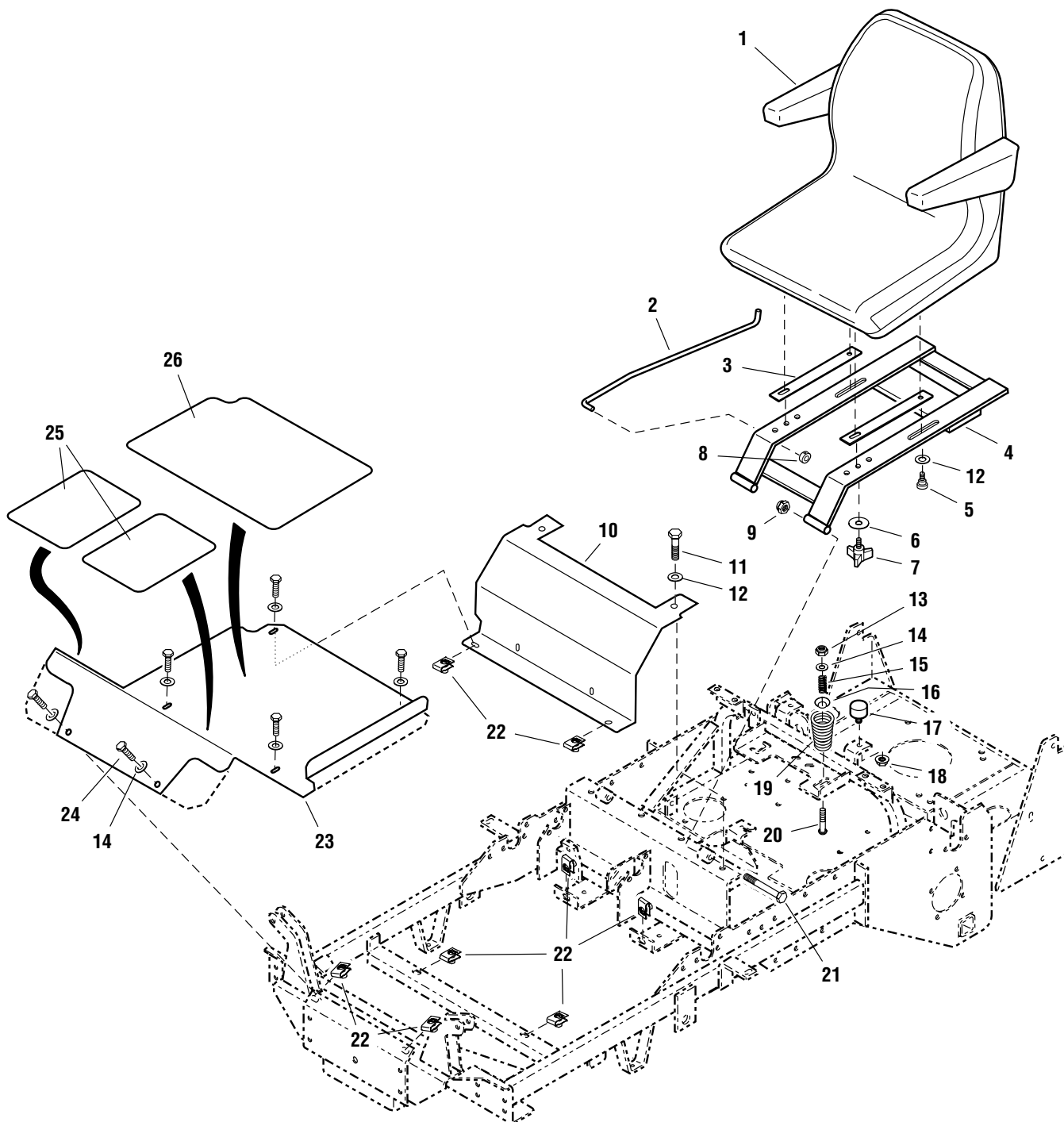
The above parts group applies to the following Mfg. Nos.:

1694454 - Consumer Zero-Turn
1694455 - Consumer Zero-Turn
1694458 - Consumer Zero-Turn
1694460 - Consumer Zero-Turn

Seat & Kickplate Group

FI0022

NOTE: Unless noted otherwise,
use the standard hardware torque
specification chart.



The above parts group applies to the following Mfg. Nos.:

- 1694454 - Consumer Zero-Turn
- 1694455 - Consumer Zero-Turn
- 1694458 - Consumer Zero-Turn
- 1694460 - Consumer Zero-Turn

Seat & Kickplate Group

REF NO	PART NO.	QTY.	DESCRIPTION
1	5023160	1	SEAT
2	5046470	1	ROD, Seat Stop
3	503848365	2	PLATE, Seat Slider
4	503848117	1	SEAT MOUNT
5	5025385	2	SHOULDER BOLT, 3/8 X 3/8
6	5025337	2	WASHER, USS, 5/16
7	1700669	2	KNOB
8	5020047	1	COLLAR, Set, 5/16
9	5025096	2	NUT, Hex Nylon Lock, 3/8-16
10	503848218	1	PLATE, Brake Cover
11	502501316	2	CAPSCREW, Hex Head, 3/8-16 X 2
12	5025156	4	WASHER, SAE, 3/8
13	5025057	2	NUT, Hex Nylon Lock, 5/16-18
14	5025155	8	WASHER, SAE, 5/16
15	1714263	2	SPRING, Compression
16	1709256	2	WASHER, Spring, 5/16 X 1-1/4
17	5022673	2	BUMPER
18	5025126	2	NUT, Hex Serrated Flange, 1/4-20
19	1717051	2	SPRING, Compression
20	1931339	2	CARRIAGE BOLT, 5/16-18 X 2
21	502501332	2	CAPSCREW, Hex Head, 3/8-16 X 4
22	5022308	8	BODY CLIP, 5/16-18
23	503848220	1	PLATE, Floor
24	50250116	8	CAPSCREW, Hex Head, 5/16-18 X 3/4
25	5047139	2	SAFETY WALK
26	5048939	1	SAFETY WALK

Footnotes

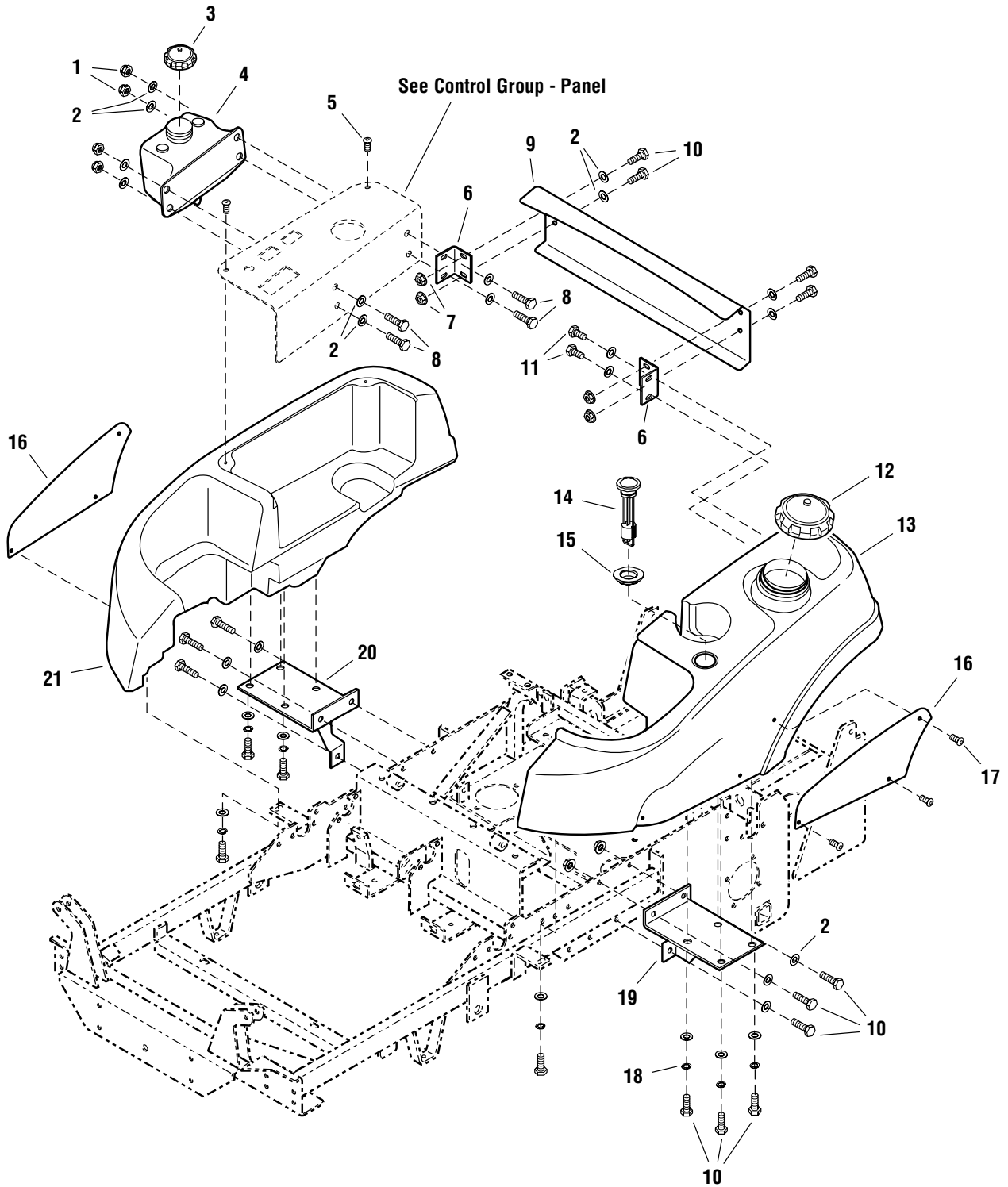
The above parts group applies to the following Mfg. Nos.:

1694454 - Consumer Zero-Turn
1694455 - Consumer Zero-Turn
1694458 - Consumer Zero-Turn
1694460 - Consumer Zero-Turn

Fuel Tank Group

FI0023

NOTE: Unless noted otherwise,
use the standard hardware torque
specification chart.



The above parts group applies to the following Mfg. Nos.:

- 1694454 - Consumer Zero-Turn
- 1694455 - Consumer Zero-Turn
- 1694458 - Consumer Zero-Turn
- 1694460 - Consumer Zero-Turn

Fuel Tank Group

REF NO	PART NO.	QTY.	DESCRIPTION
1	5025057	4	NUT, Hex Nylon Lock, 5/16-18
2	5025155	30	WASHER, SAE, 5/16
3	5023191	1	CAP
4	5023185	1	HYDRAULIC TANK
5	50252996	2	CAPSCREW, Button Allen Head, 1/4-20 x 3/4
6	503848763	2	BRACKET, Rear Support
7	5025139	10	NUT, Hex Serrated Flange, 5/16-18
8	50250118	4	CAPSCREW, Hex Head, 5/16-18 X 1
9	503848765	1	PLATE, Rear Plate Support
10	50250116	20	CAPSCREW, Hex Head, 5/16-18 X 3/4
11	50250115	2	CAPSCREW, Hex Head, 5/16-18 X 5/8
12	5022158	1	CAP, Fuel
13	5048751	1	FUEL TANK ASSEMBLY, LH
*	5023061	1	ELBOW FITTING
*	1654930	1	GROMMET
*	505092520	1	HOSE, 20"
*	5023069	2	CLAMP, Hose
*	5023067	1	FITTING, Screen
14	5023197	1	GAUGE, Fuel
15	50229171	1	GROMMET
16	503848909	2	TANK BADGE
17	5025386	6	CAPSCREW, Button Allen Head, #10-24 X 3/8
18	5025170	10	WASHER, Lock, 5/16
19	503848704	1	MOUNT, Fuel Tank, LH
20	503848705	1	MOUNT, Fuel Tank, RH
21	5048752	1	FUEL TANK, RH

Footnotes

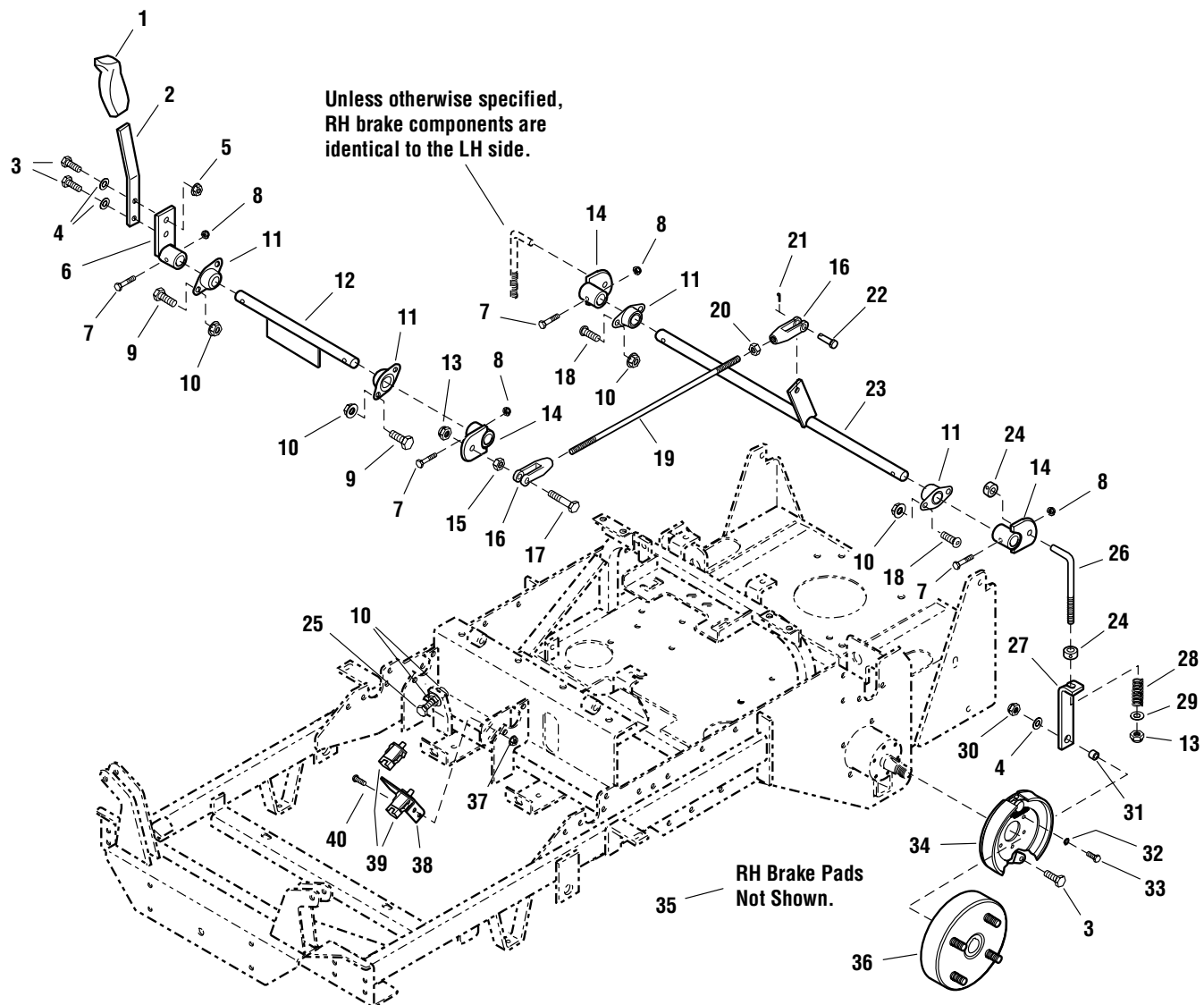
The above parts group applies to the following Mfg. Nos.:

1694454 - Consumer Zero-Turn
1694455 - Consumer Zero-Turn
1694458 - Consumer Zero-Turn
1694460 - Consumer Zero-Turn

Brake Group

FI0020

NOTE: Unless noted otherwise, use the standard hardware torque specification chart.



The above parts group applies to the following Mfg. Nos.:

- 1694454 - Consumer Zero-Turn
- 1694455 - Consumer Zero-Turn
- 1694458 - Consumer Zero-Turn
- 1694460 - Consumer Zero-Turn

Brake Group

REF NO	PART NO.	QTY.	DESCRIPTION
1	1722302	1	GRIP
2	503845619	1	BRAKE, Handle
3	50250118	4	CAPSCREW, Hex Head, 5/16-18 X 1
4	5025155	4	WASHER, Flat, 5/16
5	5025139	2	NUT, Hex Serrated Flange, 5/16-18
6	503848401	1	MOUNT, Brake Handle
7	502501014	4	CAPSCREW, Hex Head, 1/4-20 X 1-3/4
8	5025095	4	NUT, Hex Nylon Lock, 1/4-20
9	50250136	4	CAPSCREW, Hex Head, 3/8-16 X 3/4
10	5025128	10	NUT, Hex Serrated Flange, 3/8-16
11	5021098	4	BEARING, Flange
12	503848163	1	BRAKE SHAFT, Front
13	5025096	1	NUT, Hex Nylon Lock, 3/8-16
14	503845618	3	BRAKE, Linkage Pivot
15	5025034	1	NUT, Hex, 3/8-16
16	5021171	2	CLEVIS, 3/8-24
17	502501316	1	CAPSCREW, Hex Head, 3/8-16 X 2
18	50250756	4	CAPSCREW, Button Allen Head, 3/8-16 X 3/4
19	5042553	1	ROD
20	5025035	1	NUT, Hex, 3/8-24
21	50252016	1	PIN, Cotter
22	50252148	1	PIN, Clevis, 3/8 X 1
23	503848166	1	BRAKE SHAFT, Rear
24	5010546	4	COLLAR, Set, 3/8
25	502505814	1	CAPSCREW, Hex Head, Flange Lock Taptite, 3/8-16 X 1-3/4
26	5047091	2	ROD, Brake Adjustment
27	503847084	2	BRAKE, Link
28	5022361	2	SPRING, Compression
29	5025156	2	WASHER, Flat, 3/8
30	5025057	2	NUT, Hex Nylon Lock, 5/16-18
31	5041930009	2	PIVOT, Sleeve
32	5025169	12	WASHER, Lock, 1/4
33	5023215	12	CAPSCREW, Hex Head, M6 X 14MM
34	5023188	1	BRAKE ASSEMBLY, LH
35	5023106	1	BRAKE ASSEMBLY, RH (NOT SHOWN)
36	5023094	2	BRAKE, Drum, 4 Bolt
37	5025126	2	NUT, Hex Serrated Flange, 1/4-20
38	503845621	1	SWITCH, Mount Bracket
39	5022182	2	SWITCH, Plunger, Snap In
40	50250105	2	CAPSCREW, Hex Head, 1/4-20 X 5/8

Footnotes

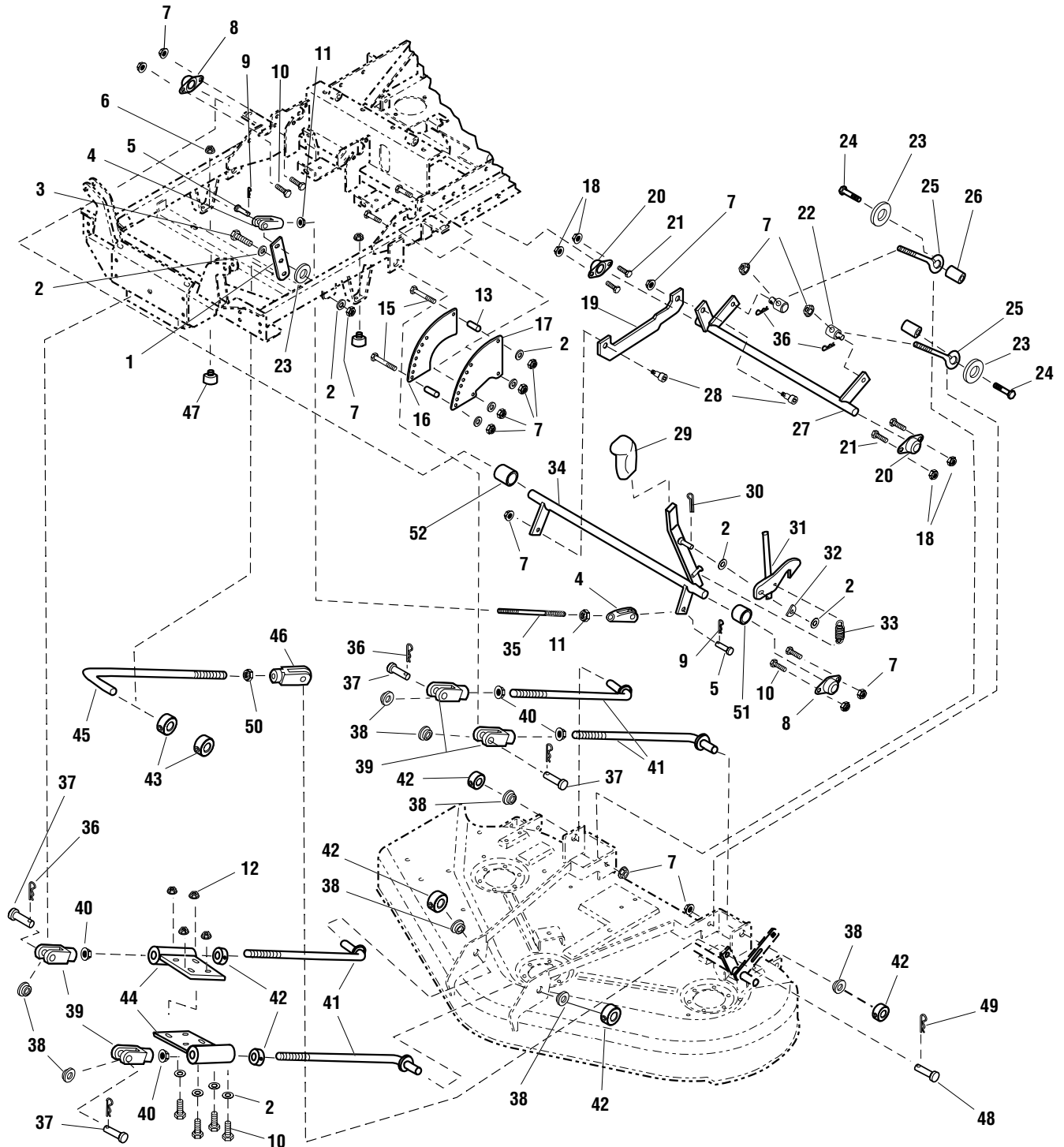
The above parts group applies to the following Mfg. Nos.:

1694454 - Consumer Zero-Turn
1694455 - Consumer Zero-Turn
1694458 - Consumer Zero-Turn
1694460 - Consumer Zero-Turn

Lift Group - Early Models

FI0015RA

NOTE: Unless noted otherwise,
use the standard hardware torque
specification chart.



The above parts group applies to the following Mfg. Nos.:

- 1694454 - Consumer Zero-Turn
- 1694455 - Consumer Zero-Turn
- 1694458 - Consumer Zero-Turn
- 1694460 - Consumer Zero-Turn

Lift Group - Early Models

REF NO	PART NO.	QTY.	DESCRIPTION
1	503848698	1	REVERSING LINK
2	5025156	11	WASHER, 3/8, SAE
3	502501312	1	CAPSCREW, Hex Head, 3/8-16 X 1-1/2
4	5021171	2	PLASTIC CLEVIS, 3/8-24
5	50252148	2	PIN, 3/8 DIA X 1"
6	5025126	2	HEX NUT, Serrated Flange, 1/4-20
7	5025096	11	NUT, Hex Nylon Lock, 3/8-16
8	5021098	2	BEARING, Flange, Bronze, 3/4"
9	50252016	2	PIN, Cotter
10	50250136	8	CAPSCREW, Hex Head, 3/8-16 X 3/4
11	5025309	2	JAM NUT, Hex, 3/8-24
12	5025128	4	HEX NUT, Serrated Flange, 3/8-16
13	5048264	2	SPACER
14	5023082	1	HITCH PIN ASSEMBLY, 1/2 X 3.50 (NOT SHOWN)
15	502501320	2	CAPSCREW, Hex Head, 3/8-16 X 2-1/2
16	503848750	1	DECK HEIGHT PLATE, Inner
17	503848744	1	DECK HEIGHT PLATE, Outer
18	5025057	4	HEX NUT, Nylon Lock, 5/16-18
19	503848733	1	LINK, Drift Lift
20	5021098	2	BUSHING, Bronze Flange
21	50250116	4	CAPSCREW, Hex Head, 5/16-18 X 3/4
22	5045947	2	ADJUSTER, Brake Linkage
23	5045139009	3	WASHER, 1-3/4 OD X .390 ID
24	502501318	2	CAPSCREW, Hex Head, 3/8-16 X 1-3/4
25	5021812	2	EYE BOLT, 3/8-16
26	5047125	2	SPACER
27	503848711	1	LIFT SHAFT, Rear Deck
28	5025356	2	BOLT, 1/2" X 3/8" Shoulder
29	5023198	1	HANDLE, Cover
30	502520212	1	PIN, Cotter, 3/16 X 1-1/2
31	503848884	1	LOCK, Deck
32	5023202	1	SPRING WASHER, 3/8
33	5020639	1	SPRING, Extension
34	503848697	1	SHAFT, Deck Height
35	5042533009	1	ROD, 3/8
36	5025210	6	HAIRPIN
37	502532812	4	PIN, Clevis, 1/2 X 1-1/2
38	5048258	4	BUSHING, Support
39	5023174	4	CLEVIS, 1/2-20
40	5025089	4	NUT, Hex Jam, 1/2-20
41	5048768	4	ROD, Deck Hanger
42	5023241	6	SPLIT COLLAR, 1/2"
43	5023241	2	SPLIT COLLAR, 1/2"
44	503848902	2	DECK STABILIZER

Footnotes

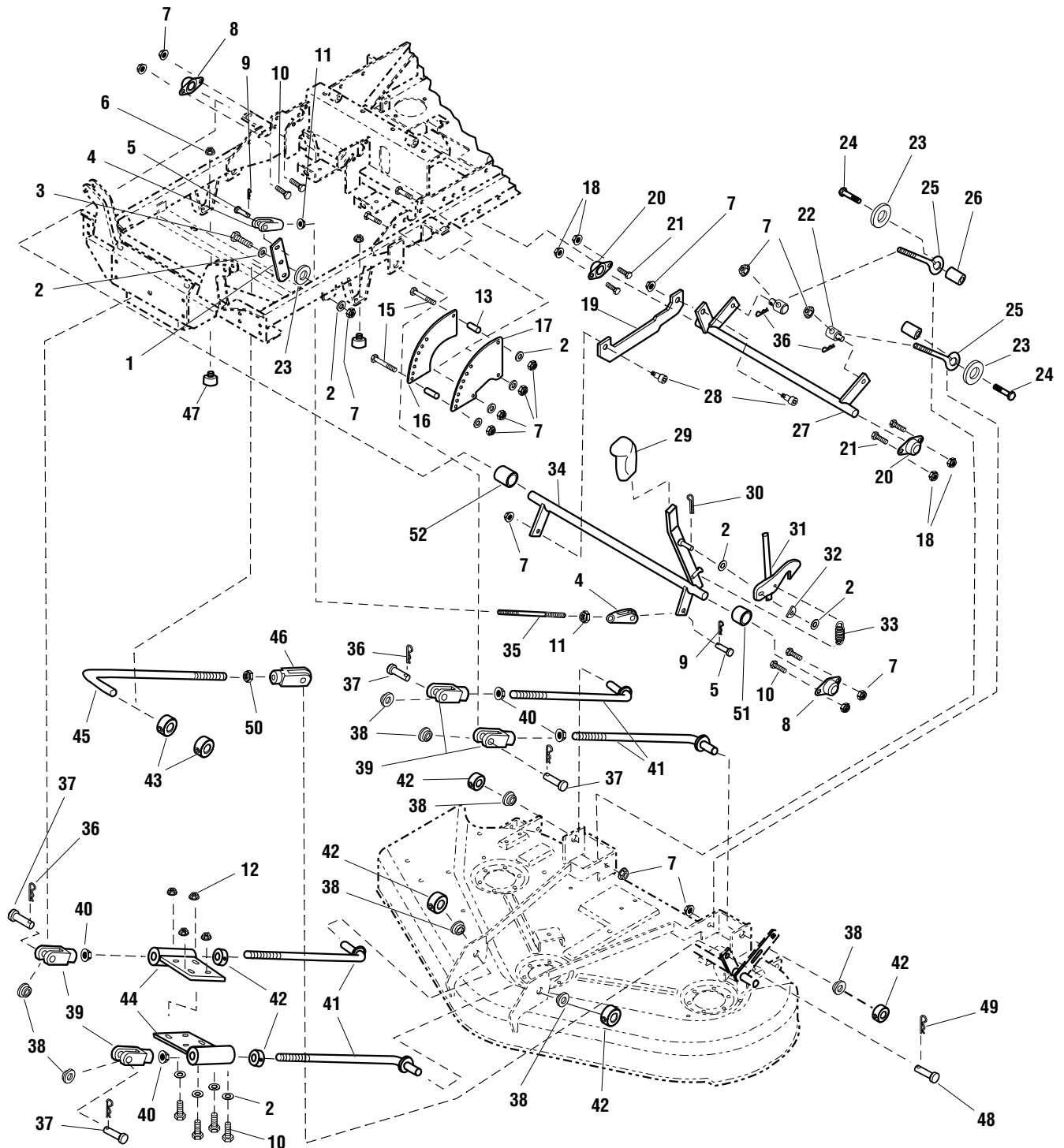
The above parts group applies to the following Mfg. Nos.:

1694454 - Consumer Zero-Turn
 1694455 - Consumer Zero-Turn
 1694458 - Consumer Zero-Turn
 1694460 - Consumer Zero-Turn

Lift Group - Early Models

FI0015RA

NOTE: Unless noted otherwise,
use the standard hardware torque
specification chart.



The above parts group applies to the following Mfg. Nos.:

- 1694454 - Consumer Zero-Turn
- 1694455 - Consumer Zero-Turn
- 1694458 - Consumer Zero-Turn
- 1694460 - Consumer Zero-Turn

Lift Group - Early Models

REF NO	PART NO.	QTY.	DESCRIPTION
45	5048691	1	CONNECTING ROD, Roller (50" DECK)
46	5023174	1	CLEVIS, 1/2-20
47	5022673	2	BUMPER, Rubber, 1/4-20
48	502532812	1	PIN, Clevis, 1/2 X 1-1/2
49	5025210	1	HAIRPIN
50	5025089	1	NUT, Hex Jam, 1/2-20
51	5046092	1	SPACER, .76 X 1.00 X .50
52	5048335	1	SPACER, .76 X 1.00 X 1.00

Footnotes

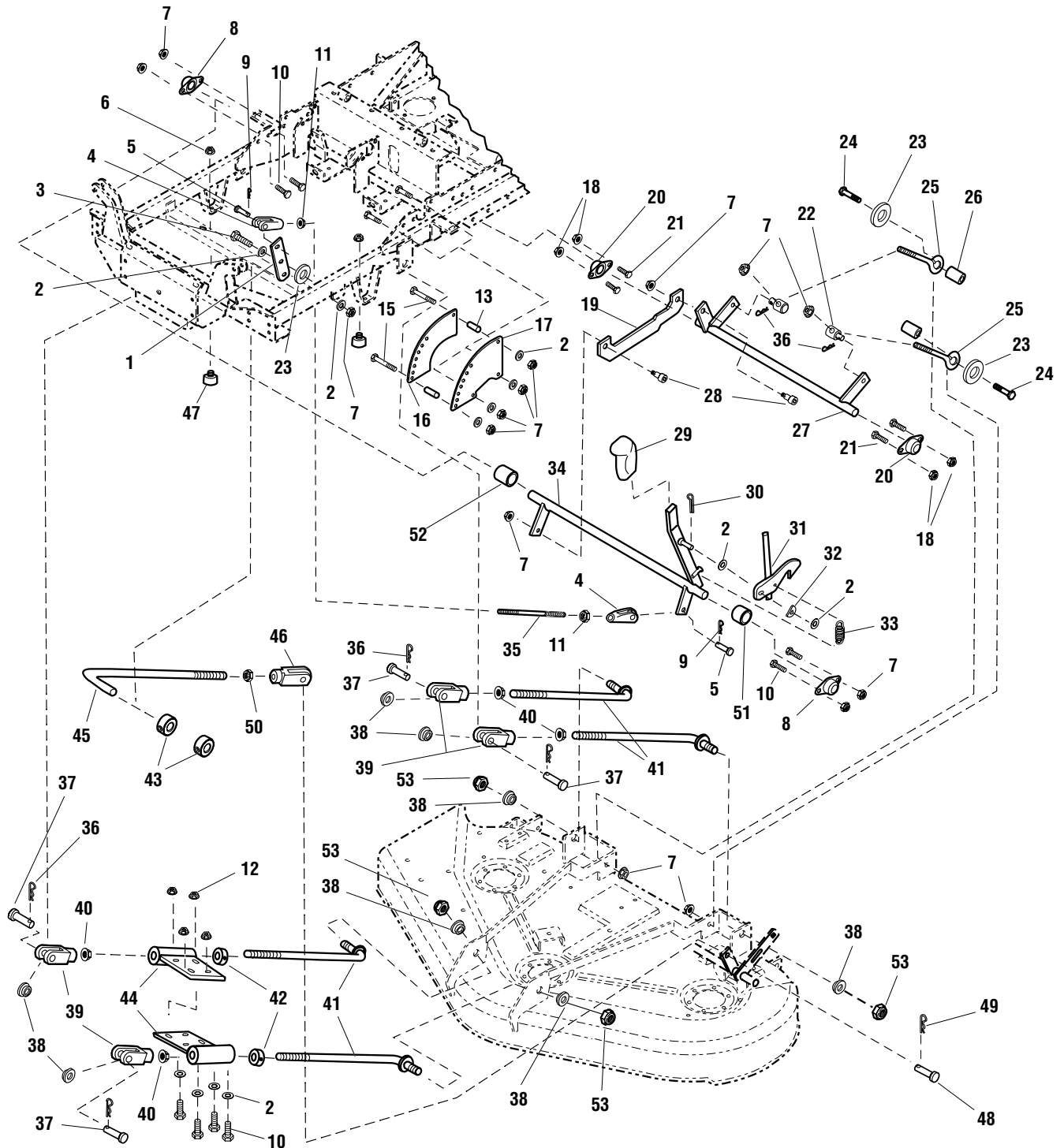
The above parts group applies to the following Mfg. Nos.:

1694454 - Consumer Zero-Turn
1694455 - Consumer Zero-Turn
1694458 - Consumer Zero-Turn
1694460 - Consumer Zero-Turn

Lift Group - Later Models

FI0015RB

NOTE: Unless noted otherwise,
use the standard hardware torque
specification chart.



The above parts group applies to the following Mfg. Nos.:

- 1694454 - Consumer Zero-Turn
- 1694455 - Consumer Zero-Turn
- 1694458 - Consumer Zero-Turn
- 1694460 - Consumer Zero-Turn

Lift Group - Later Models

REF NO	PART NO.	QTY.	DESCRIPTION
1	503848698	1	LINK, Reversing
2	5025156	11	WASHER, 3/8, SAE
3	502501312	1	CAPSCREW, Hex Head, 3/8-16 X 1-1/2
4	5021171	2	CLEVIS, Plastic, 3/8-24
5	50252148	2	PIN, 3/8 DIA X 1"
6	5025126	2	NUT, Hex Serrated Flange, 1/4-20
7	5025096	11	NUT, Hex Nylon Lock, 3/8-16
8	5021098	2	BEARING, Bronze Flange 3/4"
9	50252016	2	PIN, Cotter
10	50250136	8	CAPSCREW, Hex Head, 3/8-16 X 3/4
11	5025309	2	JAM NUT, Hex, 3/8-24
12	5025128	4	NUT, Hex Serrated Flange, 3/8-16
13	5048264	2	SPACER
14	5023082	1	PIN ASSEMBLY, Hitch, 1/2 X 3.50 (NOT SHOWN)
15	502501320	2	CAPSCREW, Hex Head, 3/8-16 X 2-1/2
16	503848750	1	DECK HEIGHT PLATE, Inner
17	503848744	1	DECK HEIGHT PLATE, Outer
18	5025057	4	NUT, Hex Nylon Lock, 5/16-18
19	503848733	1	LINK, Deck Lift
20	5021098	2	BUSHING, Bronze Flange
21	50250116	4	CAPSCREW, Hex Head, 5/16-18 X 3/4
22	5045947	2	ADJUSTER, Brake Linkage
23	5045139009	3	WASHER, 1-3/4 OD X .390 ID
24	502501318	2	CAPSCREW, Hex Head, 3/8-16 X 1-3/4
25	5021812	2	EYE BOLT, 3/8-16
26	5047125	2	SPACER
27	503848711	1	LIFT SHAFT, Rear Deck
28	5025356	2	BOLT, 1/2" X 3/8" Shoulder
29	5023198	1	HANDLE COVER
30	502520212	1	PIN, Cotter, 3/16 X 1-1/2
31	503848884	1	DECK LOCK
32	5023202	1	WASHER, Spring, 3/8
33	5020639	1	SPRING, Extension
34	503848697	1	SHAFT, Deck Height
35	5042533009	1	ROD, 3/8
36	5025210	6	HAIRPIN
37	502532812	4	PIN, Clevis, 1/2 X 1-1/2
38	5048258	4	BUSHING, Support
39	5023174	4	CLEVIS, 1/2-20
40	5025089	4	NUT, Hex Jam, 1/2-20
41	5049173	4	ROD, Deck Hanger
42	5023241	2	SPLIT COLLAR, 1/2"
43	5023241	2	SPLIT COLLAR, 1/2"
44	503848902	2	DECK STABILIZER

Footnotes

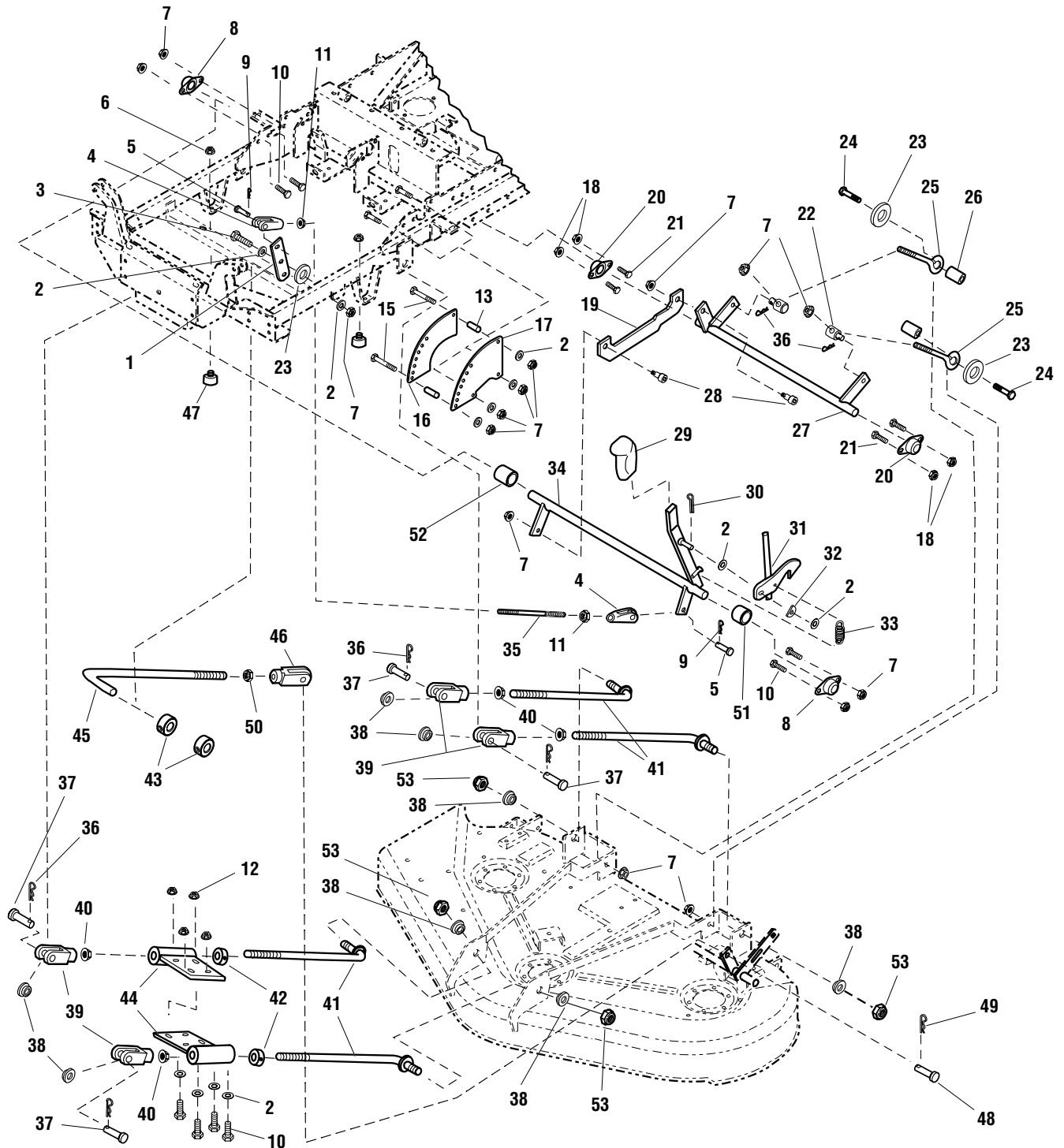
The above parts group applies to the following Mfg. Nos.:

1694454 - Consumer Zero-Turn
 1694455 - Consumer Zero-Turn
 1694458 - Consumer Zero-Turn
 1694460 - Consumer Zero-Turn

Lift Group - Later Models

FI0015RB

NOTE: Unless noted otherwise,
use the standard hardware torque
specification chart.



The above parts group applies to the following Mfg. Nos.:

- 1694454 - Consumer Zero-Turn
- 1694455 - Consumer Zero-Turn
- 1694458 - Consumer Zero-Turn
- 1694460 - Consumer Zero-Turn

Lift Group - Later Models

REF NO	PART NO.	QTY.	DESCRIPTION
45	5048691	1	CONNECTING ROD, Roller (50" DECK)
46	5023174	1	CLEVIS, 1/2-20
47	5022673	2	BUMPER, Rubber, 1/4-20
48	502532812	1	PIN, Clevis, 1/2 X 1-1/2
49	5025210	1	HAIRPIN
50	5025089	1	NUT, Hex Jam, 1/2-20
51	5046092	1	SPACER, .76 X 1.00 X .50
52	5048335	1	SPACER, .76 X 1.00 X 1.00
53	5025098	4	NUT, Hex Nylon Lock, 1/2-20

Footnotes

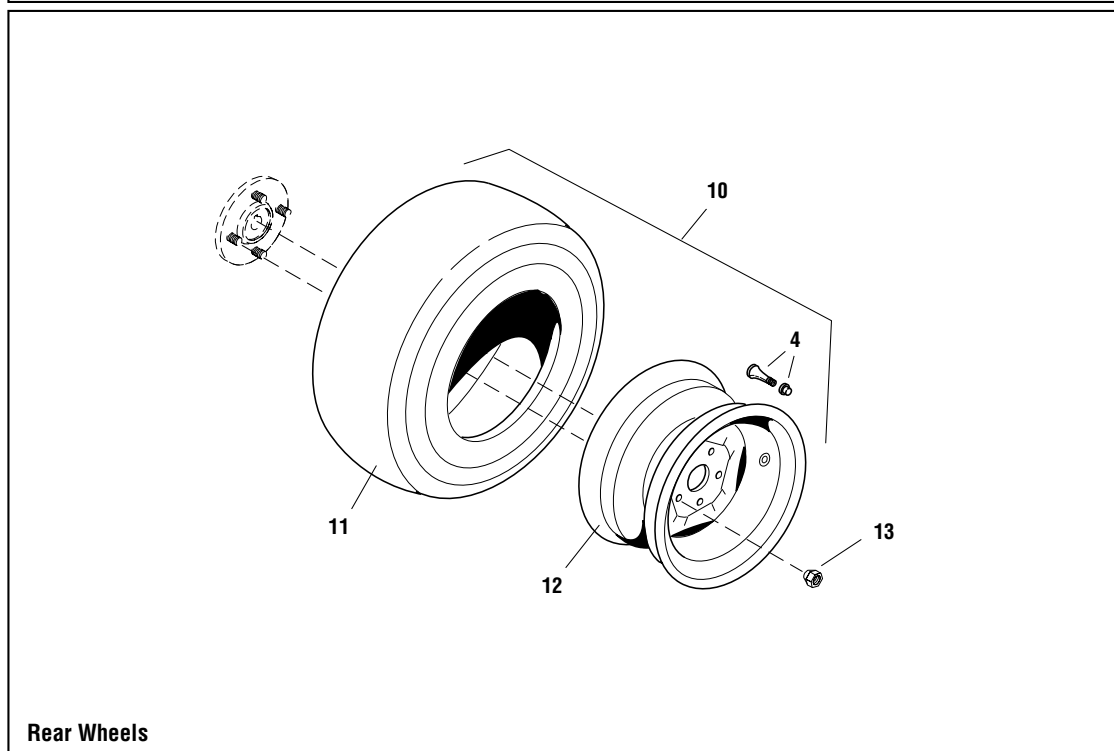
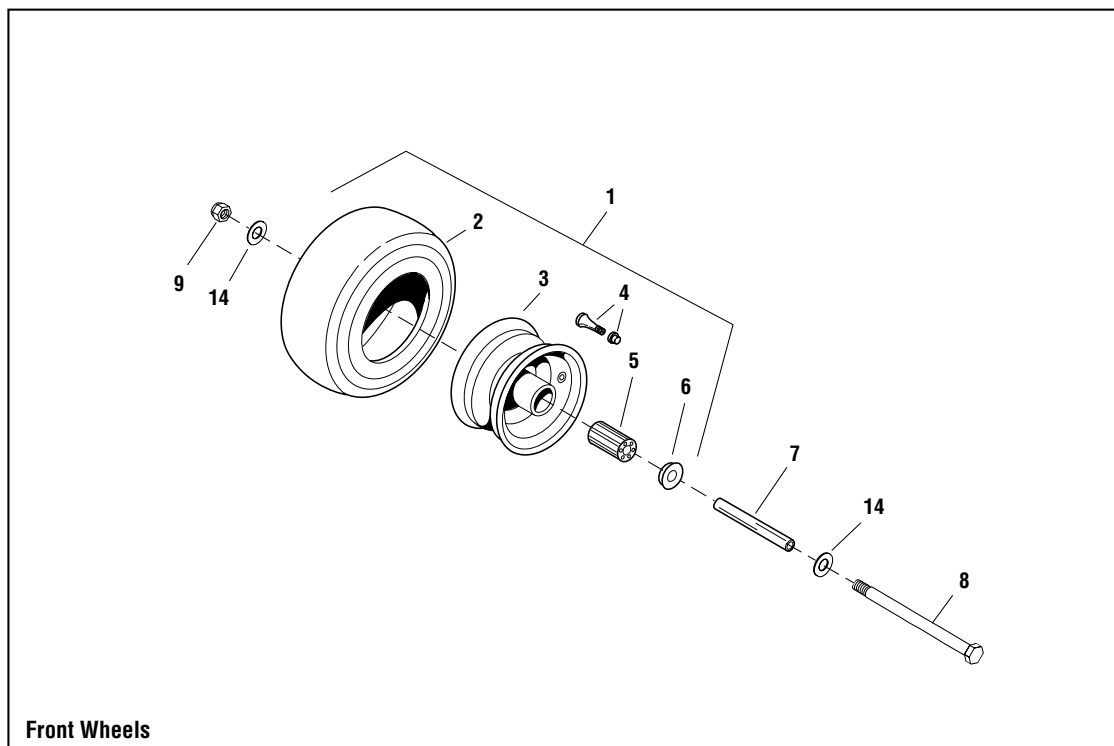
The above parts group applies to the following Mfg. Nos.:

1694454 - Consumer Zero-Turn
1694455 - Consumer Zero-Turn
1694458 - Consumer Zero-Turn
1694460 - Consumer Zero-Turn

Wheel & Tire Group

FI0024

NOTE: Unless noted otherwise,
use the standard hardware torque
specification chart.



The above parts group applies to the following Mfg. Nos.:

- 1694454 - Consumer Zero-Turn
- 1694455 - Consumer Zero-Turn
- 1694458 - Consumer Zero-Turn
- 1694460 - Consumer Zero-Turn

Wheel & Tire Group

REF NO	PART NO.	QTY.	DESCRIPTION
1	5022433S	2	WHEEL & TIRE ASSEMBLY, 11 X 4.0 - 5, Complete (INCLUDES REF NO. 2 - 6)
2	50224331	2	TIRE, Front, 11 X 4.0 - 5
3	5022433S2	2	WHEEL ASSEMBLY, Complete (INCLUDES REF NO. 4 & 5)
4	172353	4	VALVE STEM & CAP ASSEMBLY
5	5021042	4	BEARING, Roller (2 PER TIRE)
6	5021043	4	BEARING, Retainer (2 PER TIRE)
7	5045996	2	AXLE, Front Caster
8	502501752	2	CAPSCREW, Hex Head, 1/2-13 X 6-1/2
9	5025056	2	NUT, Hex Nylon Lock, 1/2-13
10	5023095	2	WHEEL & TIRE ASSEMBLY, 20 X 8.0 - 10, Complete (INCLUDES REF NO. 4, 11 & 12)
11	50230951	2	TIRE, Rear 20 X 8.0 X 10
12	50230952	2	WHEEL ASSEMBLY, For 20 X 8.0 X 10 Tire
13	5020601	8	LUG NUT, 1/2-20
14	5025158	4	WASHER, SAE, 1/2

Footnotes

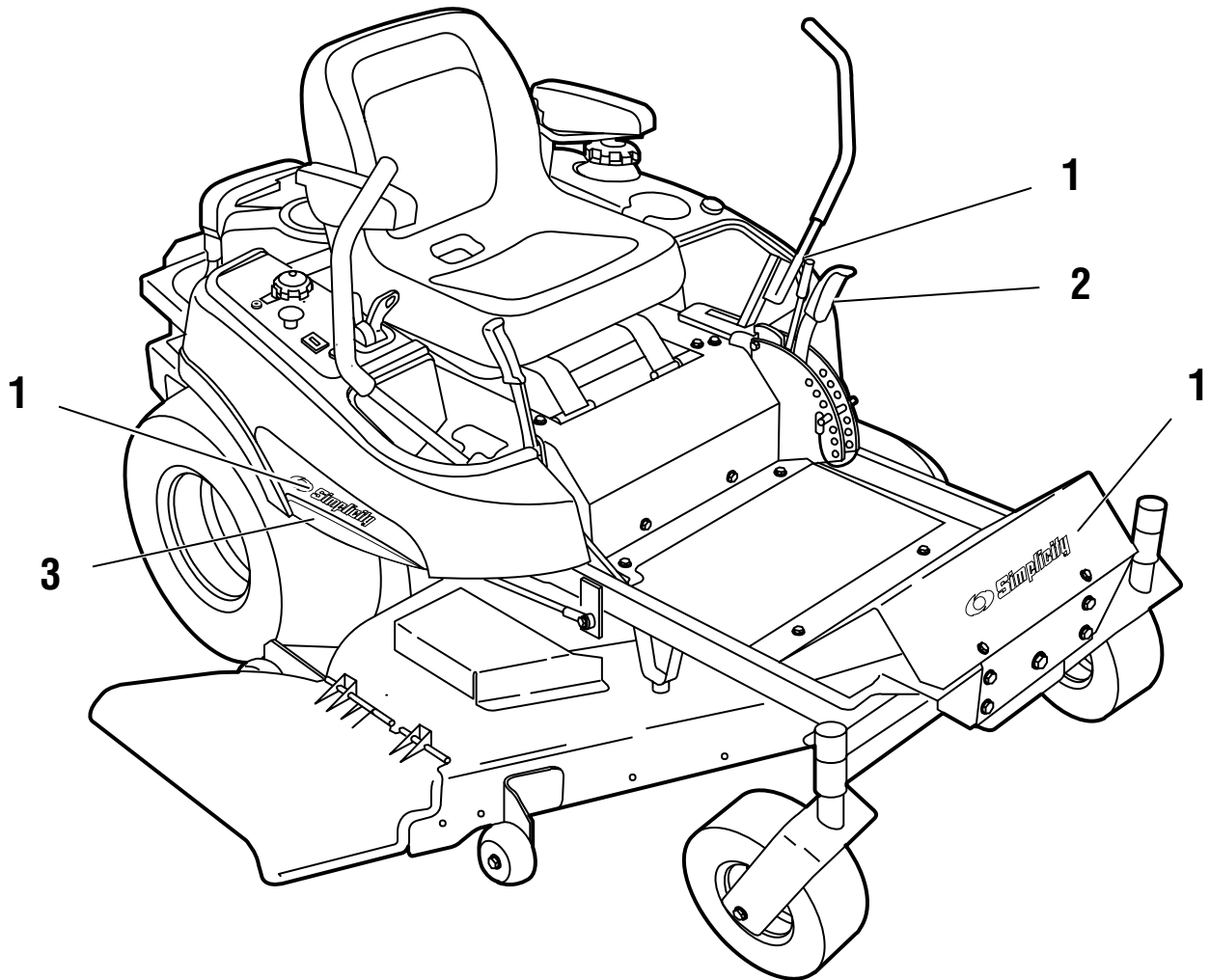
The above parts group applies to the following Mfg. Nos.:

1694454 - Consumer Zero-Turn
1694455 - Consumer Zero-Turn
1694458 - Consumer Zero-Turn
1694460 - Consumer Zero-Turn

Decals Group - Brand & Model

FI0025

NOTE: Unless noted otherwise,
use the standard hardware torque
specification chart.



The above parts group applies to the following Mfg. Nos.:

- 1694454 - Consumer Zero-Turn
- 1694455 - Consumer Zero-Turn
- 1694458 - Consumer Zero-Turn
- 1694460 - Consumer Zero-Turn

Decals Group - Brand & Model

REF NO	PART NO.	QTY.	DESCRIPTION
1	1722551	1	DECAL, Simplicity, Silver & Blue, w/Icon
2	5023228	1	DECAL, Stripe, LH
3	5023229	1	DECAL, Stripe, RH

Footnotes

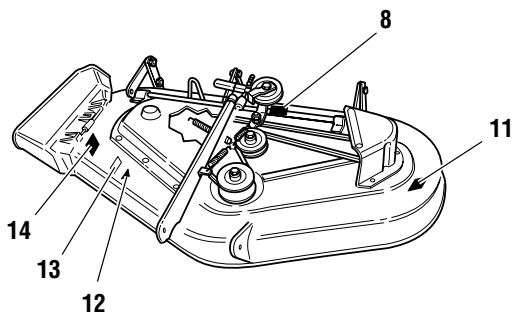
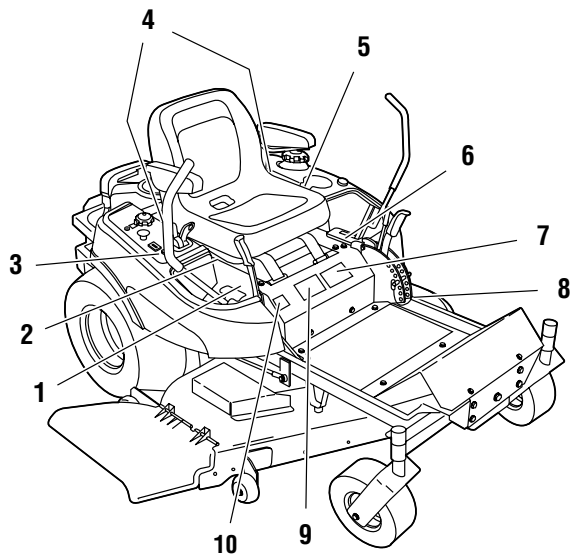
The above parts group applies to the following Mfg. Nos.:

1694454 - Consumer Zero-Turn
1694455 - Consumer Zero-Turn
1694458 - Consumer Zero-Turn
1694460 - Consumer Zero-Turn

Decals Group - Safety & Common

FI0026

NOTE: Unless noted otherwise, use the standard hardware torque specification chart.



Belts & Blades	
Tractor	
Pump Drive Belt	5022931
44" Mower	
Deck Drive Belt	1703372
Mower Blade	1704100
50" Mower	
Deck Drive Belt	1724507
Mower Blade	1708229

2



3



4

5



6



10



12



13



11



14



The above parts group applies to the following Mfg. Nos.:

- 1694454 - Consumer Zero-Turn
- 1694455 - Consumer Zero-Turn
- 1694458 - Consumer Zero-Turn
- 1694460 - Consumer Zero-Turn

Decals Group - Safety & Common

REF NO	PART NO.	QTY.	DESCRIPTION
1	1725671	1	DECAL, Motion Control, RH
2	5048907	1	DECAL, Belt and Blade
3	1722806	1	DECAL, Ignition Switch Symbol, White/Black
4	5045562	2	DECAL, Transmission Release, Free Wheel
5	1720454	1	DECAL, Touch Up Paint
6	1725671	1	DECAL, Motion Control, LH
7	1725673	1	DECAL, Danger
8	*	1	DECAL, I.D. Plate
9	1725672	1	DECAL, Warning
10	1725669	1	DECAL, Parking Brake
11	1704276	1	DECAL, Danger Do Not Put Hands/Feet in Mower
12	*	1	DECAL, OPEI Certified
13	1722789	1	DECAL, 44"
13	1722790	1	DECAL, 50"
14	1704277	1	DECAL, Danger Do Not Operate Without Deflector

Footnotes

* Not a service part.

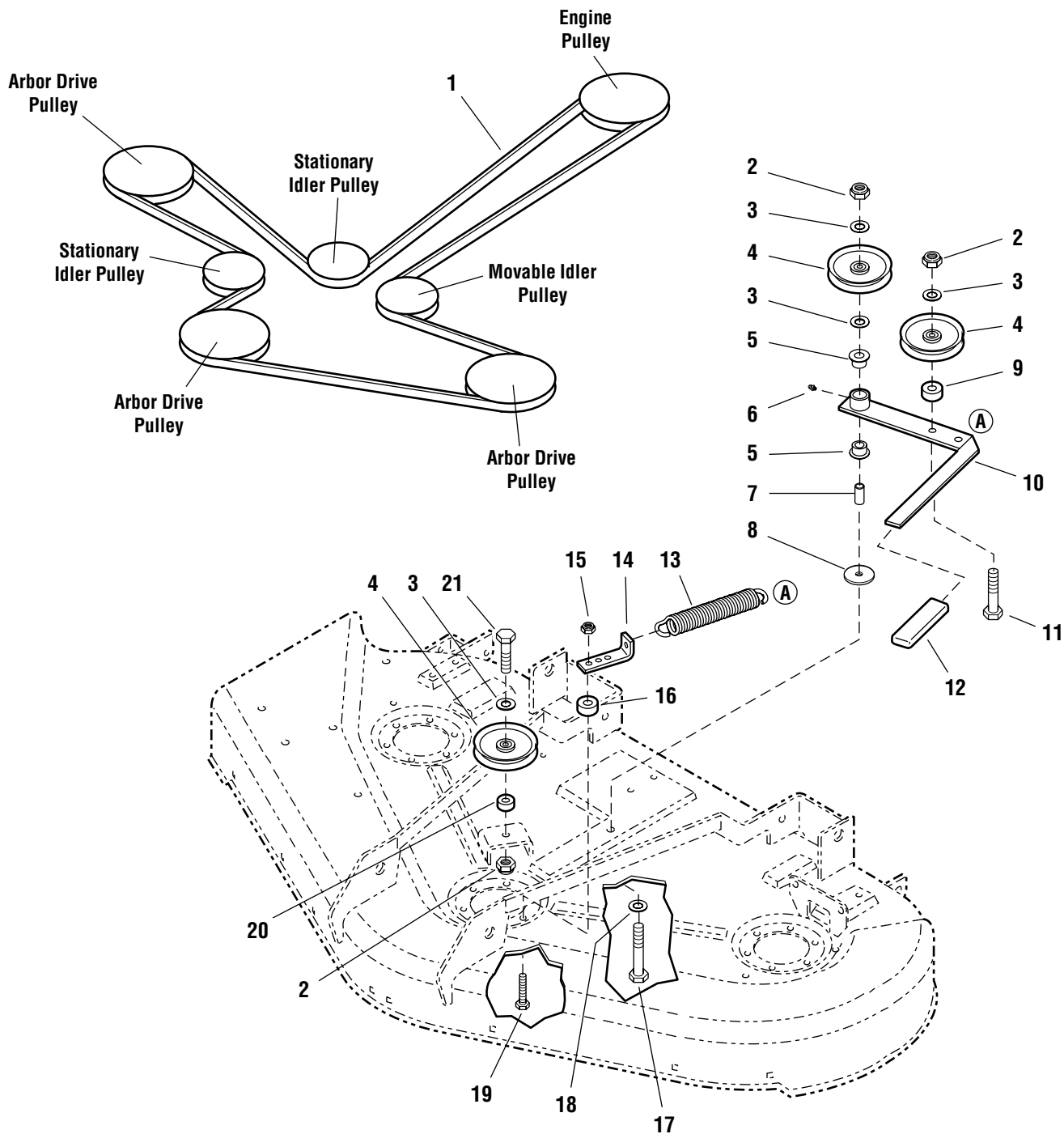
The above parts group applies to the following Mfg. Nos.:

1694454 - Consumer Zero-Turn
1694455 - Consumer Zero-Turn
1694458 - Consumer Zero-Turn
1694460 - Consumer Zero-Turn

44" & 50" Mower Deck - Belt & Idler Group

FI0028

NOTE: Unless noted otherwise, use the standard hardware torque specification chart.



The above parts group applies to the following Mfg. Nos.:

- 1694456 - 44" Mower
- 1694457 - 50" Mower
- 1694459 - 44" Mower
- 1694461 - 50" Mower

44" & 50" Mower Deck - Belt & Idler Group

REF NO	PART NO.	QTY.	DESCRIPTION
1	5023255	1	BELT, (FOR 50" DECKS)
1	5023256	1	BELT, (FOR 44" DECKS)
2	5025096	3	NUT, Hex Nylon Lock, 3/8-16
3	5025156	4	WASHER, Flat, 3/8
4	1724387	3	PULLEY, Idler
5	1676148	2	BUSHING, 5/8 X 3/4 X 13/32, POWDER METAL
6	5020095	1	FITTING, Grease
7	1674669	1	SPACER
8	5045139	1	WASHER, Retaining
9	5047125	1	SPACER, 3/8 X 1 X 7/8
10	503848341	1	IDLER ARM
11	502501318	1	CAPSCREW, Hex Head, 3/8-16 X 2-1/4
12	5025510	1	GRIP, Foam
13	1715435	1	SPRING
14	503848383	1	SPRING, Anchor
15	5025057	1	NUT, Hex Nylon Lock, 5/16-18
16	5045023	1	SPACER, 1/2 X 1 X 7/16
17	502501322	1	CAPSCREW, Hex Head, 3/8-16 X 2-3/4
18	1924356	1	WASHER
19	502505512	1	CAPSCREW, Hex Head, Taptite Flange Lock, 5/16-18 X 1-1/2
20	5044960009	1	SPACER
21	502501314	1	CAPSCREW, Hex Head, 3/8-16 X 1-3/4

Footnotes

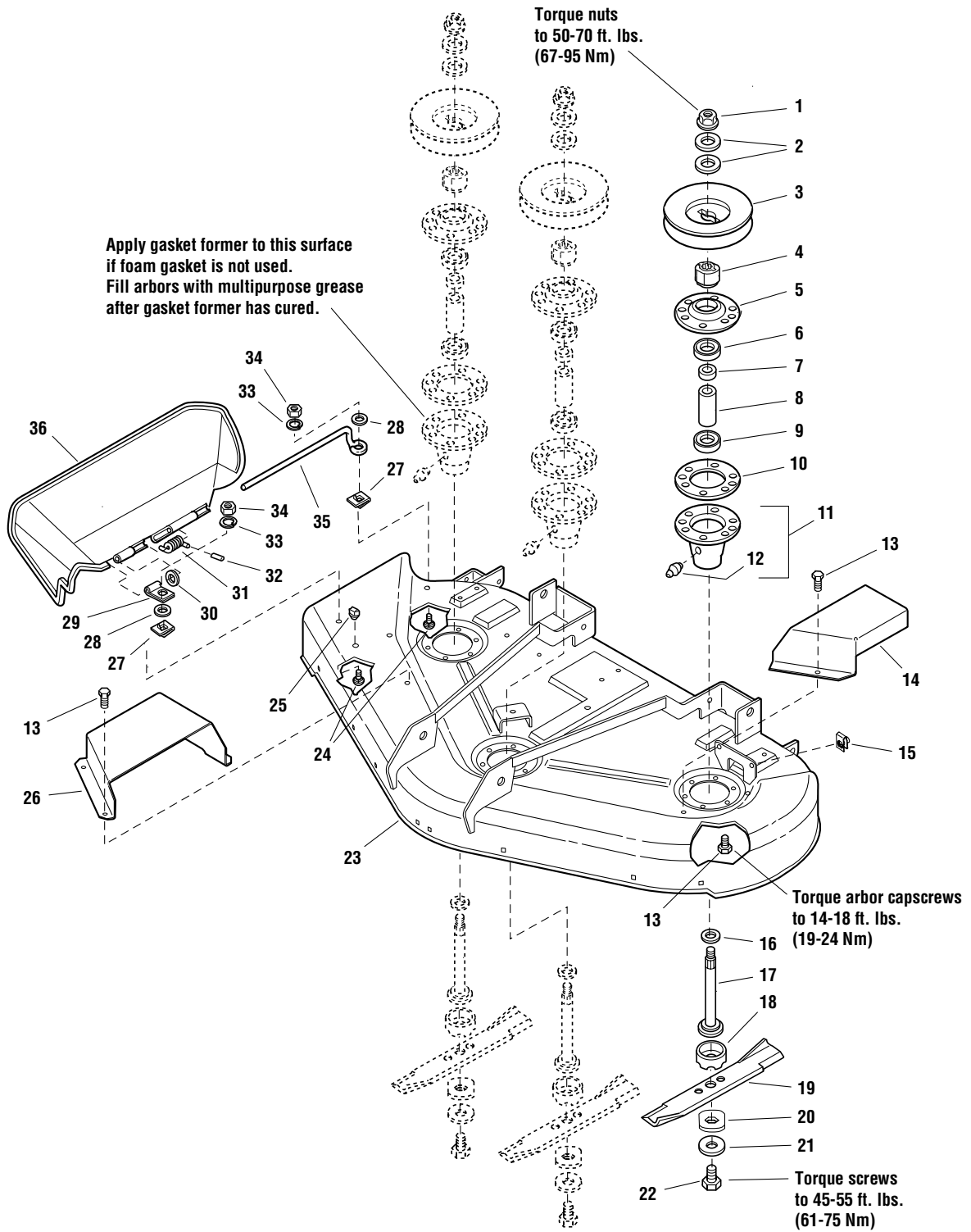
The above parts group applies to the following Mfg. Nos.:

1694456 - 44" Mower
1694457 - 50" Mower
1694459 - 44" Mower
1694461 - 50" Mower

44" & 50" Mower Deck - Housing, Arbors & Blades Group

FI0027

NOTE: Unless noted otherwise, use the standard hardware torque specification chart.



The above parts group applies to the following Mfg. Nos.:

- 1694456 - 44" Mower
- 1694457 - 50" Mower
- 1694459 - 44" Mower
- 1694461 - 50" Mower

44" & 50" Mower Deck - Housing, Arbors & Blades Group

REF NO	PART NO.	QTY.	DESCRIPTION
1	1714419	3	NUT, Hex Flange, 9/16-18
2	1713675	6	WASHER, Bellevilled, 9/16
3	1713161	3	PULLEY
4	1713613	3	HUB
5	1655729	3	COVER, Arbor Housing
6	108202	3	BEARING, Ball, 3/4 X 1-3/4 X 5/8
7	1715724	3	SPACER, 21/32 X 3/4 X 5/8
8	1715723	3	SPACER, 11/16 X 5/32 X 2-11/16
9	1705897	3	BEARING, Ball, 11/16 X 1-9/16 X 15/32
10	1707335	3	SEAL, Foam
11	1713338	3	ARBOR HOUSING ASSEMBLY (INCLUDES REF. NO. 12)
12	1704314	3	FITTING, Grease
13	1664847	24	CAPSCREW, Hex Head Taptite, 5/16-18 X 3/4
14	503847447	1	COVER, Arbor, LH
15	5022308	2	BODY CLIP, 5/16-18
16	1713619	3	WASHER, 9/16, BLACK
17	1713609	3	SHAFT, Arbor, 6-1/2
18	1713196	3	SHIELD, Grass, Lower
19	1704100	3	BLADE, Mower, 16-1/8 (FOR 44" DECKS)
19	1708229	3	BLADE, Mower, 18-1/8 (FOR 50" DECKS)
20	1713089	3	WASHER, Hex, 11/16 X 2
21	1656916	3	WASHER, Spring, 15/32, BLACK
22	923471	3	CAPSCREW, Hex Head, 7/16-14 X 1-1/4
23	503849094	1	MOWER HOUSING ASSEMBLY, 44" Mower (Includes Decals)
23	503849095	1	MOWER HOUSING ASSEMBLY, 50" Mower (Includes Decals)
24	1931318	2	CARRIAGE BOLT, 1/4-20 X 7/8
25	1705115	1	PLUG, Hole
26	503848446	1	COVER, Arbor, RH
27	1960518	2	NUT, Push
28	1960353	2	WASHER, 1/4, BLACK
29	1704873	1	CLAMP
30	1919326	1	WASHER, 5/16, BLACK
31	1723938	1	SPRING
32	1723323	1	VINYL CAP
33	1916964	2	LOCKWASHER, 1/4
34	1916622	2	NUT, Hex, 1/4-20
35	5049245	1	ROD, Deflector
36	1705449	1	DEFLECTOR, Plastic

Footnotes

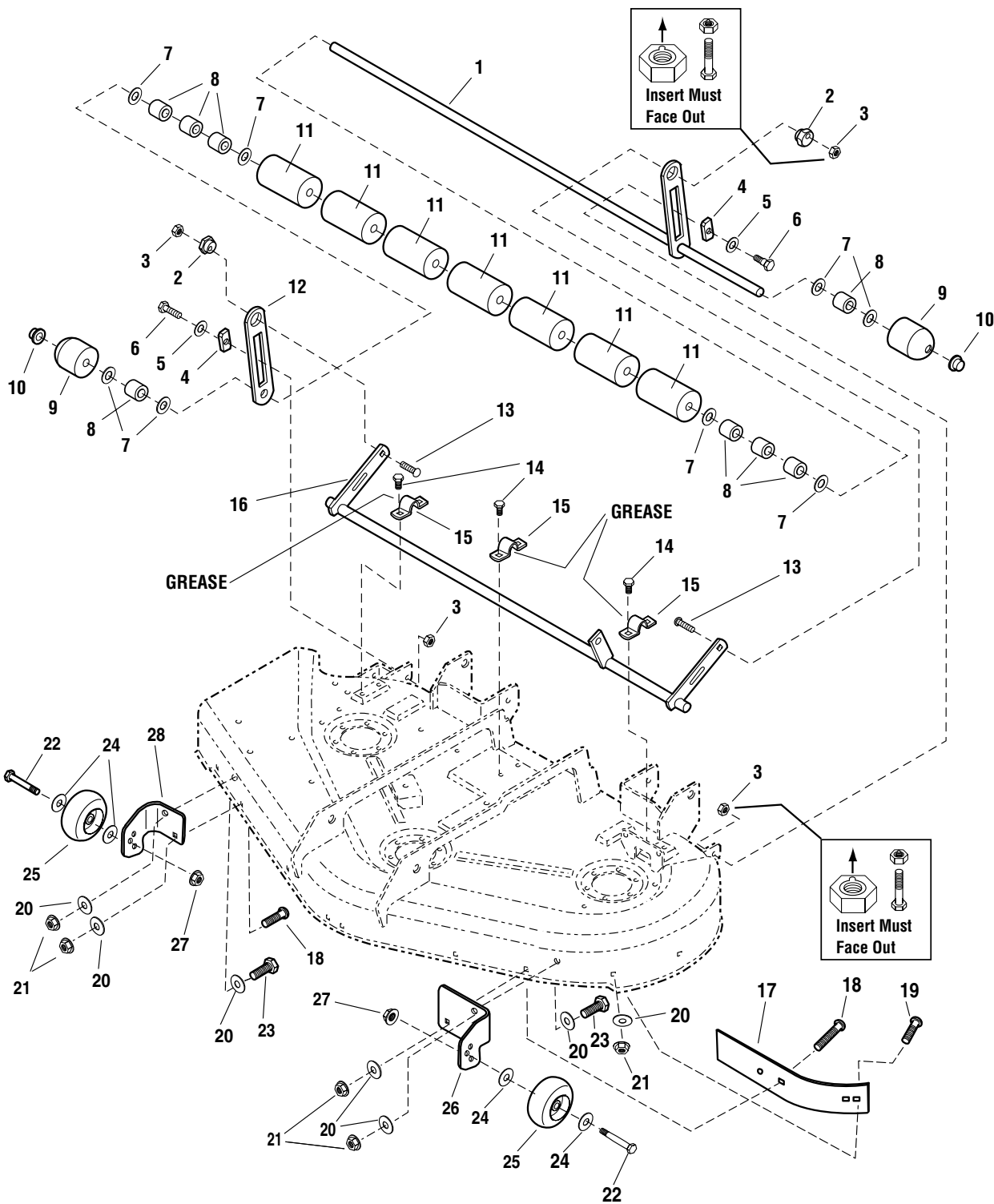
The above parts group applies to the following Mfg. Nos.:

1694456 - 44" Mower
 1694457 - 50" Mower
 1694459 - 44" Mower
 1694461 - 50" Mower

44" Mower Deck - Roller Bar Group

FI0029

NOTE: Unless noted otherwise, use the standard hardware torque specification chart.



The above parts group applies to the following Mfg. Nos.:

- 1694456 - 44" Mower
- 1694459 - 44" Mower

44" Mower Deck - Roller Bar Group

REF NO	PART NO.	QTY.	DESCRIPTION
1	503848676	1	SHAFT, Roller, 44"
2	1704082	2	NUT, Adjuster
3	960641	4	NUT, Hex Aluminum Insert Lock, 3/8-16
4	1677507	2	SLIDE
5	1924361	2	WASHER, Plain, 1/2
6	172622	2	BOLT, Shoulder, 3/8-16
7	1924366	8	WASHER, .661 ID X 1.12 OD X .11, BLACK
8	1602946	8	SPACER, 25/64 X 13/16 X 13/16, STEEL, BLACK
9	1717675	2	ROLLER, Rounded
10	1960520	2	NUT, Push
11	1668513	7	ROLLER
12	503849040	1	BAR, Roller
13	1931352	2	CARRIAGE BOLT, 3/8-16 X 1-1/2
14	1664847	6	CAPSCREW, Hex Head Taptite, 5/16-18 X 3/4
15	1665374	3	STRAP
16	503848672	1	SHAFT, Deck Lift, 44"
17	1724538	1	BAFFLE, Short Blowout
18	50251458	2	CARRIAGE BOLT, 5/16-18 X 1
19	50251456	1	CARRIAGE BOLT, 5/16-18 X 3/4
20	5025155	7	WASHER, 5/16, Plain, SAE
21	5025057	5	NUT, 5/16-18, Hex, Nylon Lock
22	108765	2	BOLT, Rear Wheel
23	50250118	2	CAPSCREW, Hex Head, 5/16-18 X 1
24	1960027	4	WASHER
25	1714760	2	WHEEL, Gauge
26	503849017	1	BRACKET, Gauge Wheel, LH
27	1930645	2	NUT, Flange, Sidelock, 3/8-16
28	503849018	1	BRACKET, Gauge Wheel, RH

Footnotes

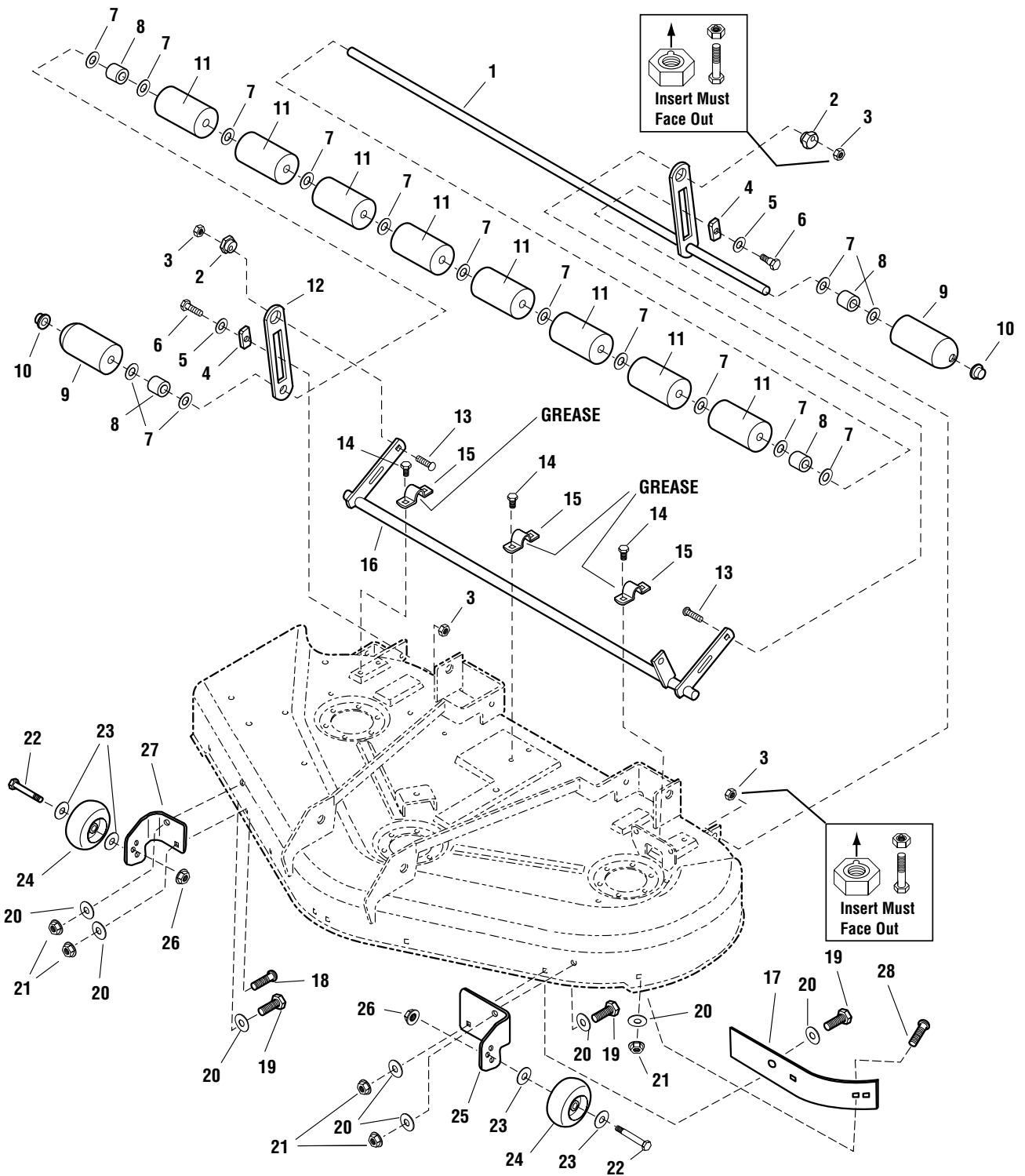
The above parts group applies to the following Mfg. Nos.:

1694456 - 44" Mower
1694459 - 44" Mower

50" Mower Deck - Roller Bar Group

FI0030

NOTE: Unless noted otherwise,
use the standard hardware torque
specification chart.



The above parts group applies to the following Mfg. Nos.:

1694457 - 50" Mower

1694461 - 50" Mower

50" Mower Deck - Roller Bar Group

REF NO	PART NO.	QTY.	DESCRIPTION
1	503848746	1	SHAFT, Roller, 50"
2	1704082	2	NUT, Adjuster
3	960641	4	NUT, Hex Aluminum Insert Lock, 3/8-16
4	1677507	2	SLIDE
5	1924361	2	WASHER, PLAIN, 1/2
6	172622	2	BOLT, Shoulder, 3/8-16
7	1924366	15	WASHER, .661 ID X 1.12 OD X .11, BLACK
8	1709195	8	SPACER-0.666 ID X 0.876OD X 1.25 LG SPLIT BLK
9	1722036	2	ROLLER, Rounded
10	1960520	2	NUT, Push
11	1668513	8	ROLLER
12	503849040	1	BAR, Roller
13	1931352	2	CARRIAGE BOLT, 3/8-16 X 1-1/2
14	1664847	6	CAPSCREW, Hex Head Taptite, 5/16-18 X 3/4
15	1665374	3	STRAP
16	3848674	1	SHAFT, Deck Lift, 50"
17	1724538	1	BAFFLE, Short Blowout
18	50251458	1	CARRIAGE BOLT, 5/16-18 X 1
19	50250118	3	CAPSCREW, Hex Head, 5/16-18 X 1
20	5025155	8	WASHER, 5/16, Plain, SAE
21	5025057	5	NUT, 5/16-18, Hex, Nylon Lock
22	108765	2	BOLT, Rear Wheel
23	1960027	4	WASHER
24	1714760	2	WHEEL, Gauge
25	504849017	1	BRACKET, Gauge Wheel, LH
26	1930645	2	NUT, Flange, Sidelock, 3/8-16
27	504849018	1	BRACKET, Gauge Wheel, RH
28	50251456	1	CARRIAGE BOLT, 5/16-18 X 3/4

Footnotes

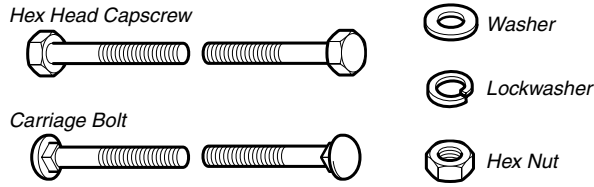
The above parts group applies to the following Mfg. Nos.:

1694457 - 50" Mower

1694461 - 50" Mower

Hardware Identification & Torque Specifications

Common Hardware Types

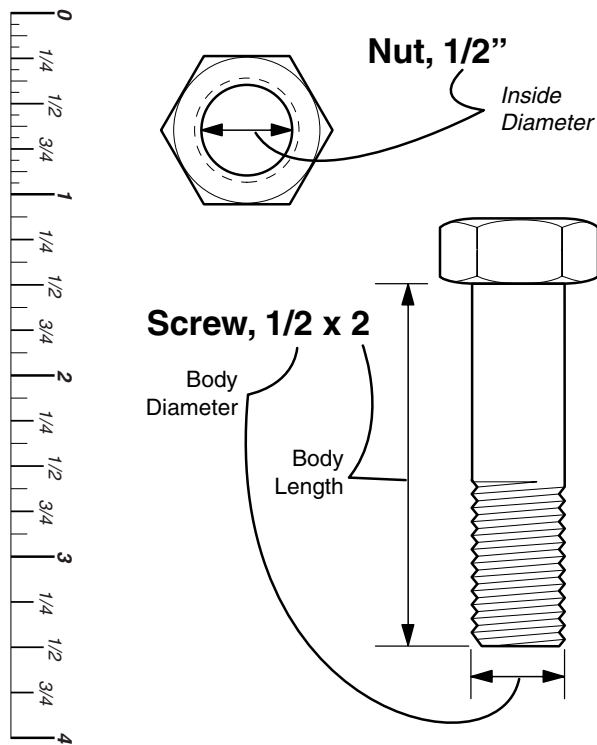


Standard Hardware Sizing

When a washer or nut is identified as 1/2", this is the *Nominal size*, meaning the *inside diameter* is 1/2 inch; if a second number is present it represents the *threads per inch*

When bolt or capscrew is identified as 1/2 - 16 x 2", this means the *Nominal size*, or *body diameter* is 1/2 inch; the second number represents the *threads per inch* (16 in this example, and the final number is the *body length* of the bolt or screw (in this example 2 inches long).

The guides and ruler furnished below are designed to help you select the appropriate hardware and tools.



Torque Specification Chart						
FOR STANDARD MACHINE HARDWARE (Tolerance ± 20%)						
Hardware Grade	No Marks SAE Grade 2		SAE Grade 5		SAE Grade 8	
	in/lbs ft/lbs	Nm.	in/lbs ft/lbs	Nm.	in/lbs ft/lbs	Nm.
8-32	19	2.1	30	3.4	41	4.6
8-36	20	2.3	31	3.5	43	4.9
10-24	27	3.1	43	4.9	60	6.8
10-32	31	3.5	49	5.5	68	7.7
1/4-20	66	7.6	8	10.9	12	16.3
1/4-28	76	8.6	10	13.6	14	19.0
5/16-18	11	15.0	17	23.1	25	34.0
5/16-24	12	16.3	19	25.8	27	34.0
3/8-16	20	27.2	30	40.8	45	61.2
3/8-24	23	31.3	35	47.6	50	68.0
7/16-14	30	40.8	50	68.0	70	95.2
7/16-20	35	47.6	55	74.8	80	108.8
1/2-13	50	68.0	75	102.0	110	149.6
1/2-20	55	74.8	90	122.4	120	163.2
9/16-12	65	88.4	110	149.6	150	204.0
9/16-18	75	102.0	120	163.2	170	231.2
5/8-11	90	122.4	150	204.0	220	299.2
5/8-18	100	136	180	244.8	240	326.4
3/4-10	160	217.6	260	353.6	386	525.0
3/4-16	180	244.8	300	408.0	420	571.2
7/8-9	140	190.4	400	544.0	600	816.0
7/8-14	155	210.8	440	598.4	660	897.6
1-8	220	299.2	580	788.8	900	1,244.0
1-12	240	326.4	640	870.4	1,000	1,360.0

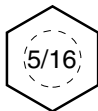
NOTES

- These torque values are to be used for all hardware excluding: locknuts, self-tapping screws, thread forming screws, sheet metal screws and socket head setscrews.
- Recommended seating torque values for locknuts:
 - for prevailing torque locknuts - use 65% of grade 5 torques.
 - for flange whizlock nuts and screws - use 135% of grade 5 torques.
- Unless otherwise noted on assembly drawings, all torque values must meet this specification.

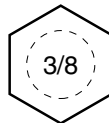
Wrench & Fastener Size Guide



1/4" Bolt or Nut
Wrench—7/16"



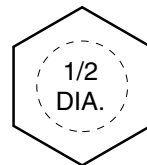
5/16" Bolt or Nut
Wrench—1/2"



3/8" Bolt or Nut
Wrench—9/16"



7/16" Bolt or Nut
Wrench (Bolt)—5/8"
Wrench (Nut)—11/16"



1/2" Bolt or Nut
Wrench—3/4"

Simplicity

MANUFACTURING, INC.
500 N. Spring Street / PO Box 997
Port Washington, WI 53074-0997 USA

www.simplicitymfg.com

© Copyright 2005 Simplicity Manufacturing, Inc.
All Rights Reserved. Printed In USA.

